



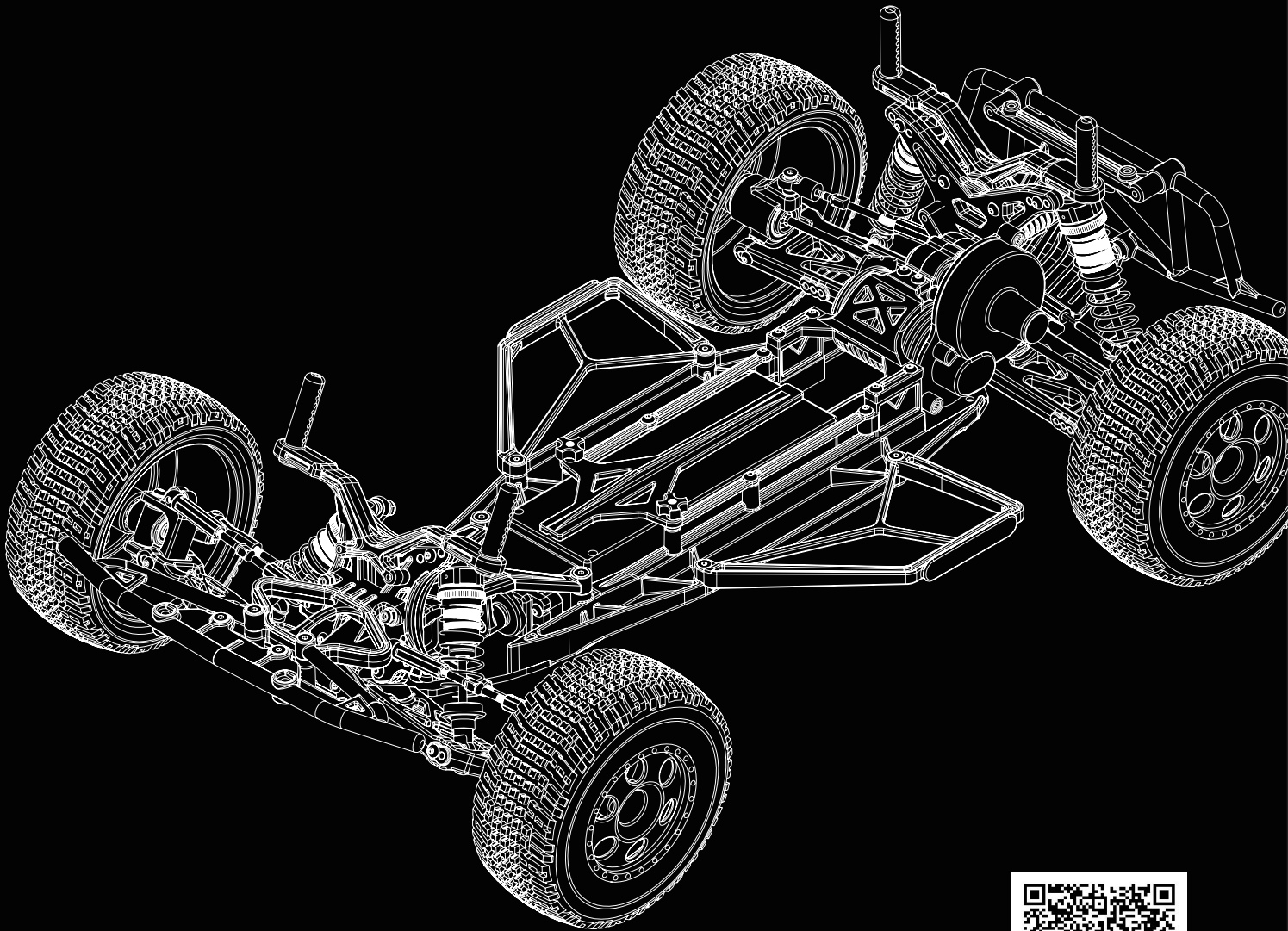
PR RACING

[www.pr-rc.com](http://www.pr-rc.com)

# PR SC201

PR RACING Off Road 10TH Short Course Team Truck Kit

ITEM NO:69000010





**PR RACING**  
www.pr-rc.com

## **PR Racing SC201 1/10 Electric 2WD Short Course Truck**

This is PR SC201 1/10 2WD Short Course Truck Kit.

We choose 6061 aluminum alloy hard anodizing material on chassis, it could use mid motor and rear motor configuration.

Following PR 2WD C brace and steering stand design to promote the fluency of reaction, using big cylinder shock to upgrade stability and suspension strut, by using various parts and strong allocation to achieve the biggest sliding ability.

You can have new sense of driving through

PR SC201 1/10 2WD new world design.

### **Specifications**

- Providing the biggest stability when cars drive, with high hardness material 6061 aluminum chassis.
- Can choose two configurations (Shorty battery and Long battery.)
- It has gear differential to achieve well and strong handling.
- Big bore shock, using intensive aluminum alloy metal to upgrade shock fluency-degree; you can drive easier even if you drive on difficult road!
- Can choose central motor or rear motor according to high grip or low grip place.

# PR Racing SC201 1/10 Electric 2WD Short Course Truck

## Specifications

- Motor: Electric
- Chassis Kick-up: 25-degrees
- Hardware: Full metric
- Bearings: Shields Metal Ball Bearings
- Wheels : Wheels with 12mm hex (front and rear)
- Spur Gear: 73-75-77-81-83-tooth 48-Pitch
- Drivetrain:2WD(RM&MM)
- Motor: Electric 540-sized
- Kit/RTR: Kit
- Shock Type: Oil Aluminum Shocks
- Body: No attach body
- Driveshafts: Full set of 2 CVDs
- Width: 296 mm
- Weight: 1850-1995g (weight varies with choice of electronics, tires & body)
- Length: 325mm-329mm
- Gear Ratio: 2.6:1
- Battery choice: 7.4V/4000-6000mAh approx,
- Minimum Age Recommendation: 14 years old

## Items required

- Metric 1.5mm, 2.0mm hex tools
- Metric 5.5mm, 8.0mm Nut Driver
- 2 Channel Surface Radio System (Minimum)
- 1/10 ESC, Motor & Pinion Gear
- High-Speed Servo
- 2S LiPo Battery & Compatible Lipo Charger
- Polycarbonate Paint for Bodies
- 1/10 Truck Tires, inserts and CA Glue
- Silicon diff oil
- LOK threadlocker

● <b>BEFORE INSTALLATION</b> -----	<b>01</b>
● <b>BAG A</b> -----	<b>03-05</b>
Chassis Guard Installation	
Servo Saver	
Steering Servo	
● <b>BAG B</b> -----	<b>06-10</b>
Front Suspension	
Front Spindle (Left Side)	
Front Spindle (Right Side)	
Front Suspension (Left Side)	
Front Shock Stay	
Front Suspension	
● <b>BAG C</b> -----	<b>10-12</b>
Battery Tray	
Battery Column	
Rear Hub & CV	
Rear Hub (Left Side)	
Rear Suspension	
● <b>BAG D</b> -----	<b>13-18</b>
Differential Gear	
Transmission Assembly (Rear Motor)	
Motor Mounts (Rear Motor)	
Main Gear (Rear Motor)	
Rear Shock Stay (Rear Motor)	
Wing Mount (Rear Motor)	
Rear Gear Box	
Rear Brace	
Rear Suspension	
● <b>BAG E</b> -----	<b>19-23</b>
Shock Assembly	
Shock Spring	
Front Suspension	
Rear Suspension	
Motor	
Motor guard	
Battery Plate	
Antenna Tube	
Tires	
● <b>BAG F</b> -----	<b>24-28</b>
Motor Mounts (Mid Motor)	
Accessories	
● <b>SPARE PARTS &amp; OPTIONAL PARTS</b> -----	<b>29</b>

## BEFORE INSTALLATION

- 1 Read through the instruction manual before installation in order to have an overview of what to do.
- 2 Check if there is any missing bags or defective parts, if there is, please contact our local dealer or our PR Distributor.
- 3 Symbols used throughout the instruction manual, comprises of:



Part bags used.

**x2**

Assemble as many times as specified (here: twice).



Tighten securely.



Note the direction.

**1:1**

True-to-scale diagram.



Do not over tighten.



Must be purchased separately.



Apply threadlocker (screw cement)



Ensure smooth non-binding movement while assembling.



Assemble in the specified order.



Apply grease.



Cut off shaded portion.



Assemble left and right sides the same way.



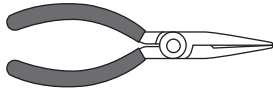
Apply oil.

- 4 This kit contains screws and hardware in different metric sizes and shapes. Before using them, check the screws on the true-to-scale diagrams on the left side in each assembly step. Some screw are extras.

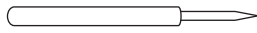
## TOOLS REQUIRED

**CAUTION: Handle tools carefully!**

- Needle Nose Pliers



- Awl



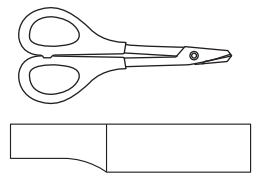
- Grease



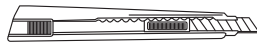
- Screw Cement



- Round Cutter & Sander



- Sharp Hobby Knife

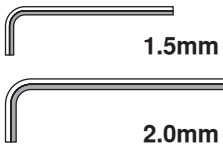


- Wire Cutters



For trimming bodies Cutting along curved lines was never so easy!

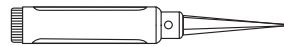
- Hex Wrench



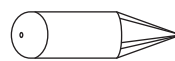
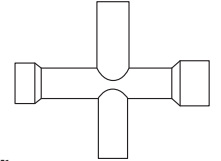
- Ball Differential Grease



- SP Knife Edge Reamer



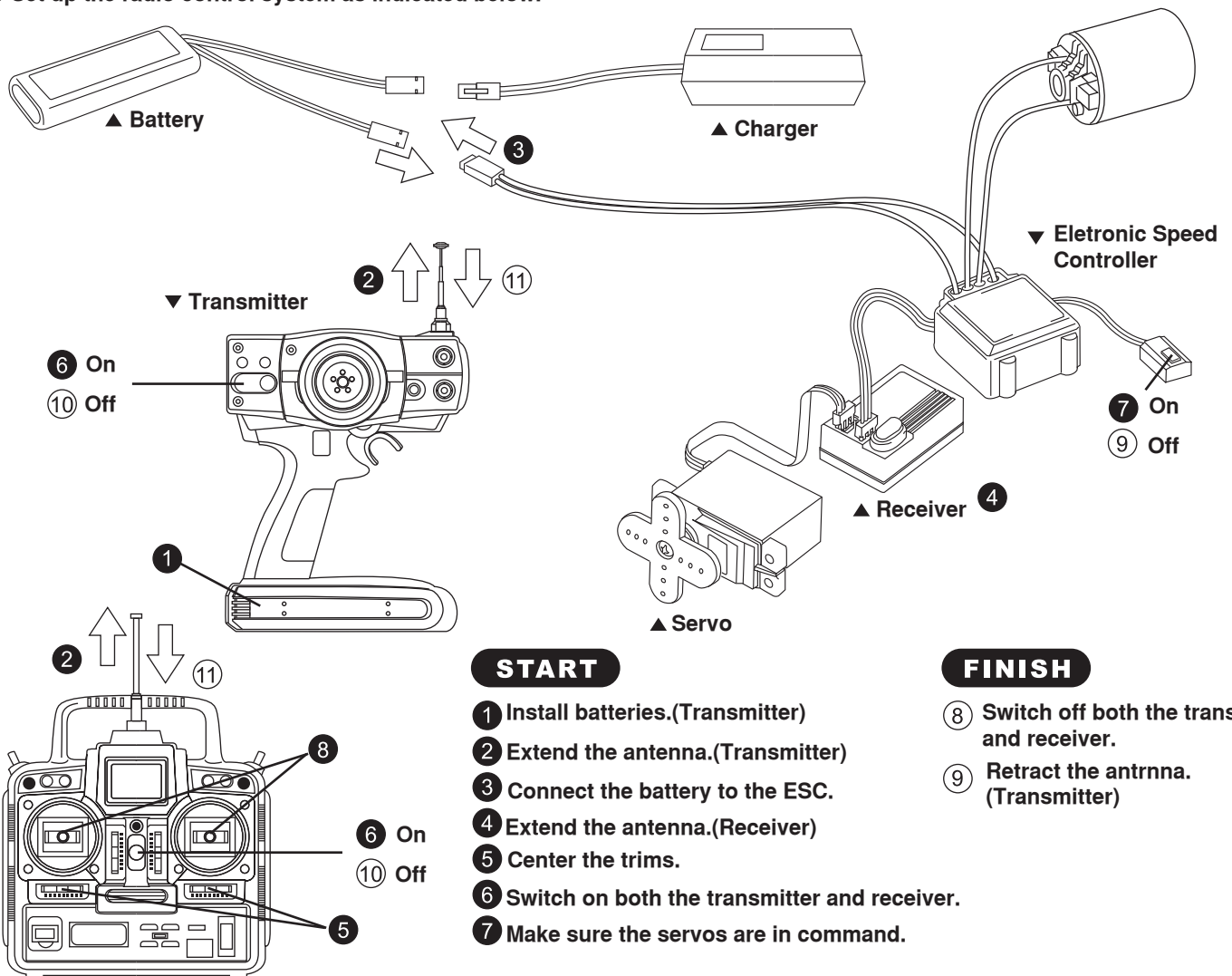
- Cross Wrench



Do not pre-drill as precise drilling of 1mm to 15mm holes can be performed after body shell painted.

## RADIO PREPARATION

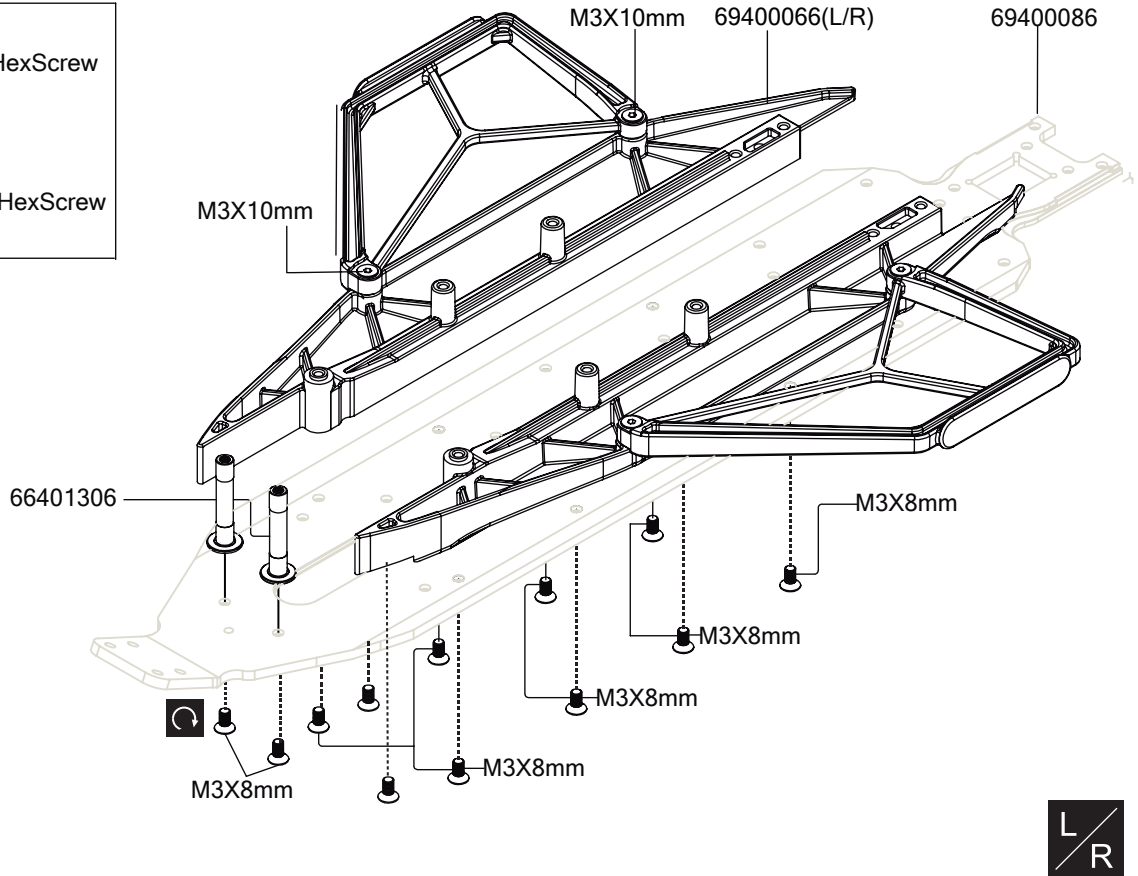
- A new battery must be charged before it is used. Refer to the charger instruction manual for charging.
- Set up the radio control system as indicated below.





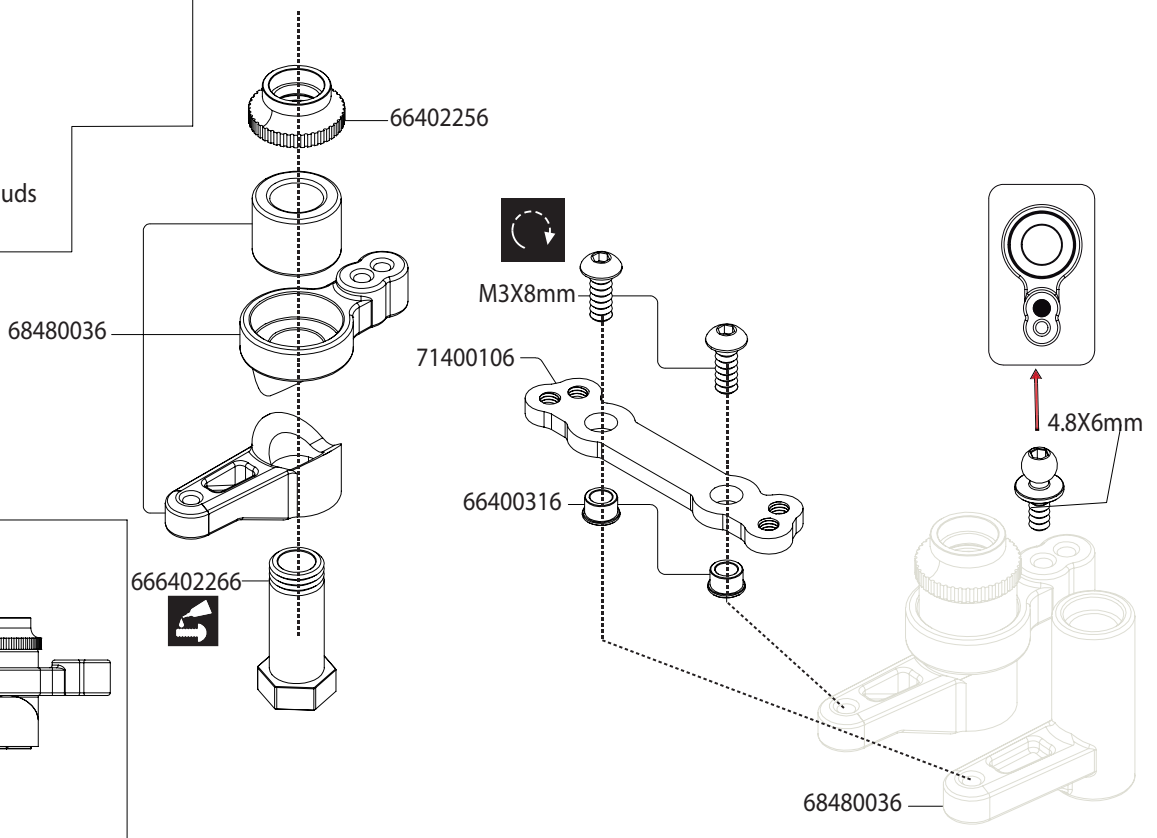
# A1 Chassis Guard Installation

- 12  
M3x8mm Flat Head HexScrew  
82400026
- 4  
M3x10mm Flat Head HexScrew  
82400106





# A2 Servo saver

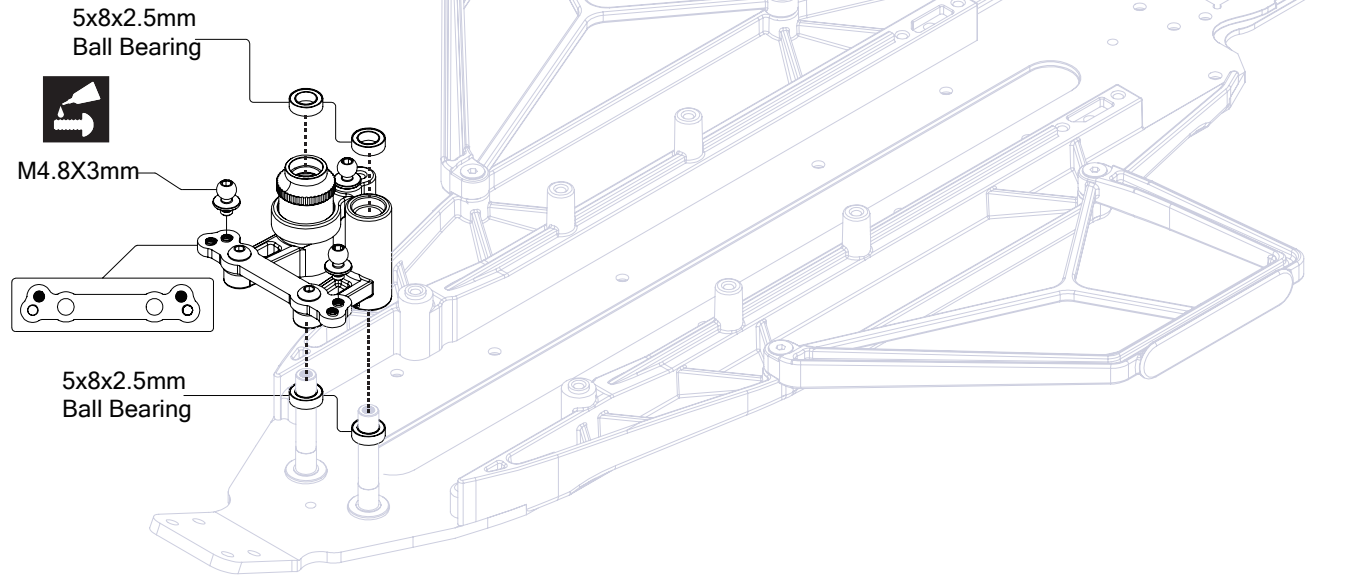
- 2  
M4.8X6mm Ball Studs  
68430036
- 1  
M4.8X6mm Ball Studs  
68430036






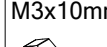


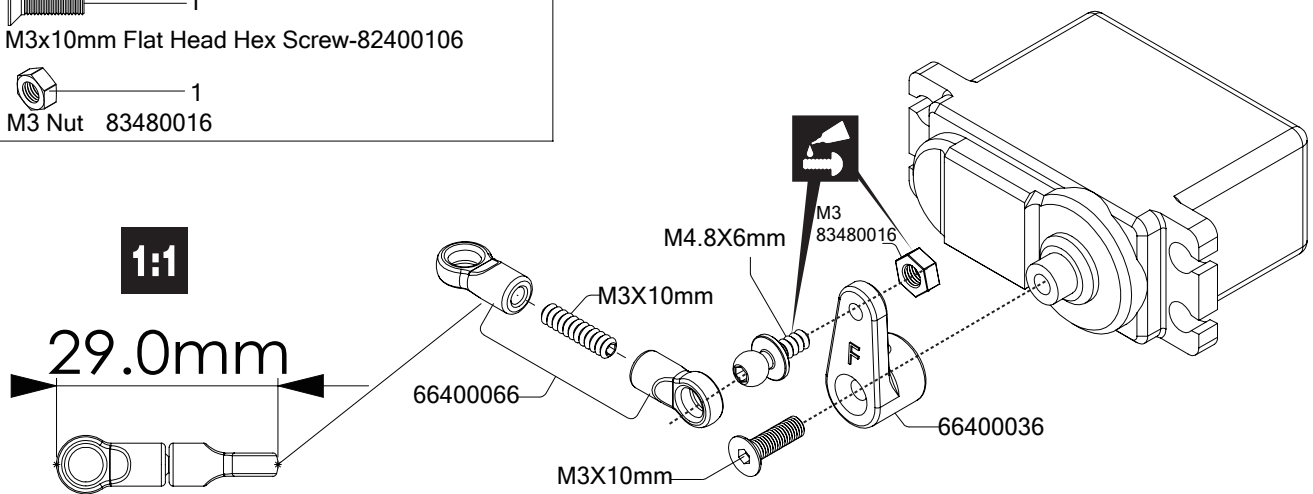
### A3 Servo saver

-  2  
4.8mmx3mm Ball Studs-68430026
-  4  
5x8x2.5mm Ball Bearing-66400756



### A4 Steering Servo

-  1  
M3x10mm Set Screw-87400026
-  1  
M4.8mmx6mm Ball Studs-68430036
-  1  
M3x10mm Flat Head Hex Screw-82400106
-  1  
M3 Nut 83480016



Part Bags used.





True-to-scale diagram.

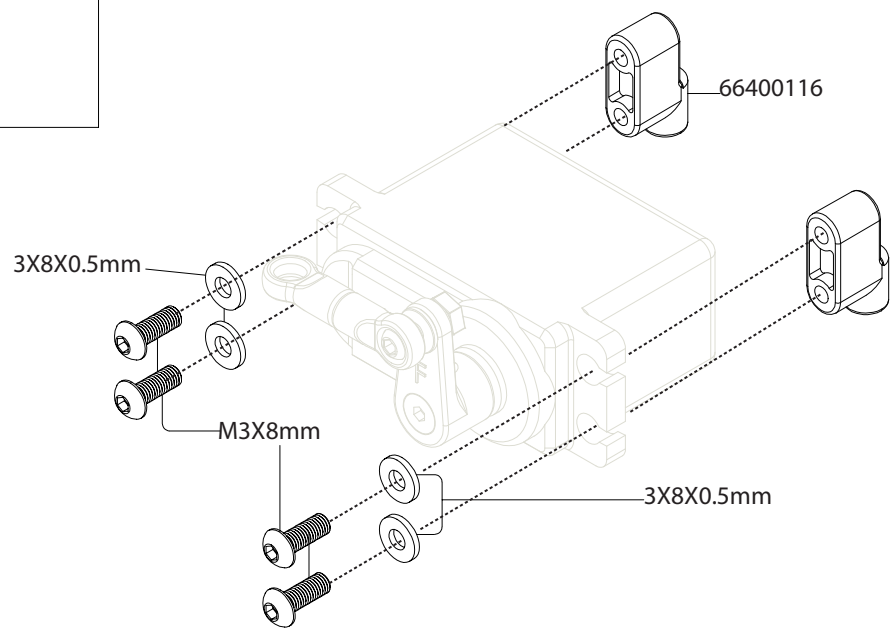


Apply threadlocker (screw cement)




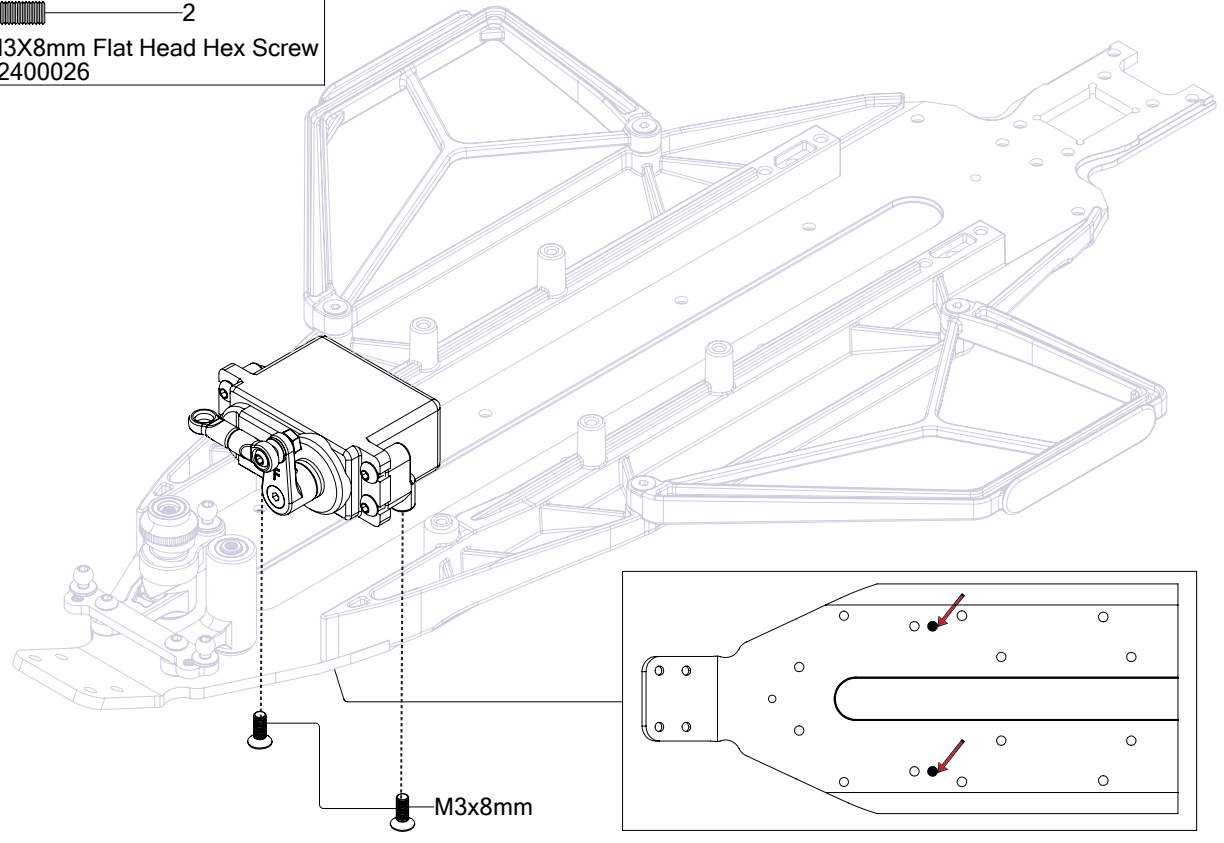
# A5 Steering Servo

-  4  
M3X8mm Button Head Hex Screw  
80400036
-  4  
3X8X0.5mm Washer  
8500010



# A6 Steering Servo


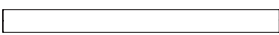
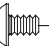
-  2  
M3X8mm Flat Head Hex Screw  
82400026

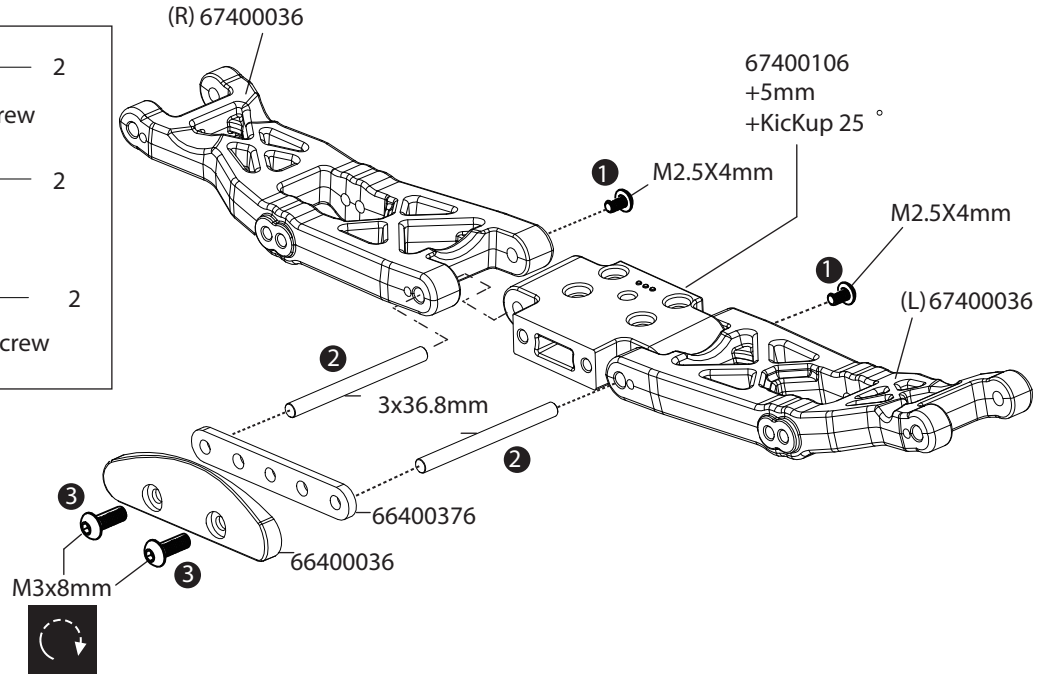







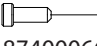
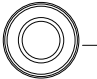


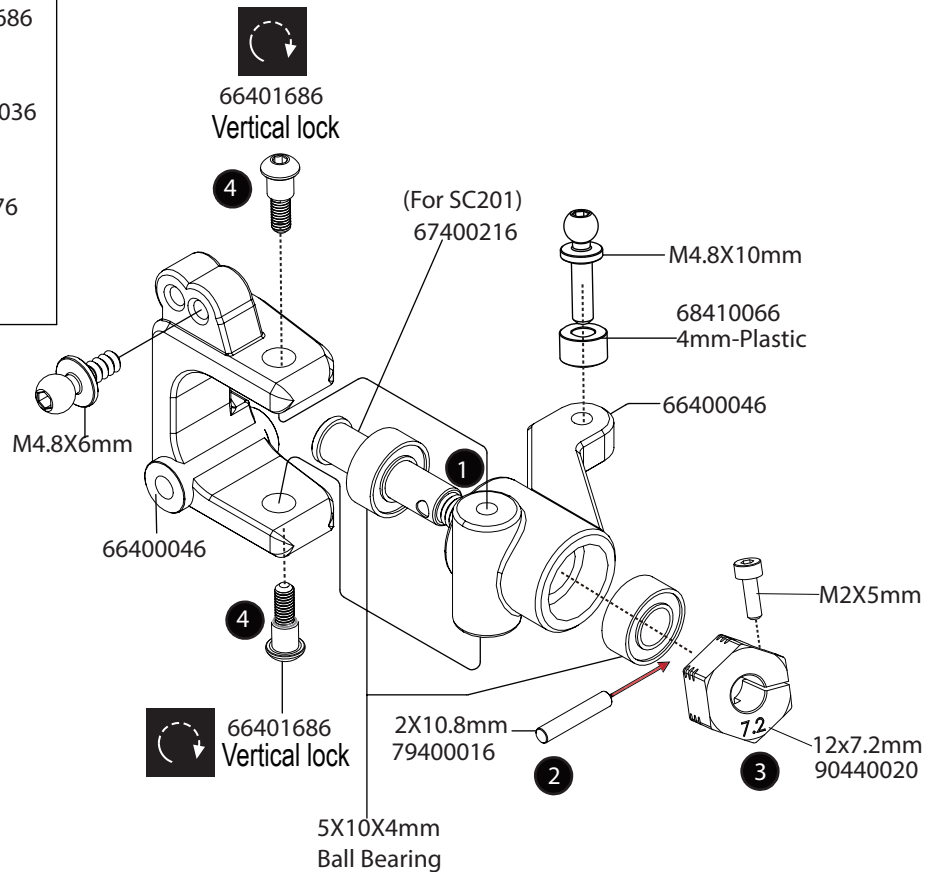
# B1 Front Suspension

-  2  
3X8mm Button Head Hex Screw  
80400036
-  2  
3x36.8mm Pin  
66430110
-  2  
2.5x4mm Button Head Hex Screw  
80400016




# B2 Front Spindle[Left Side]

-  2  
Steering Screw Stepped -66401686
-  1  
M4.8mmx6mm Ball Studs-68430036
-  1  
M4.8x10mm Ball Studs - 68430076
-  2  
87400066  
M2X5mm Cap Screw
-  2  
5x10x4mm ZZ Ball Bearing  
89430010



 Part Bags used.

 Do not over tighten.

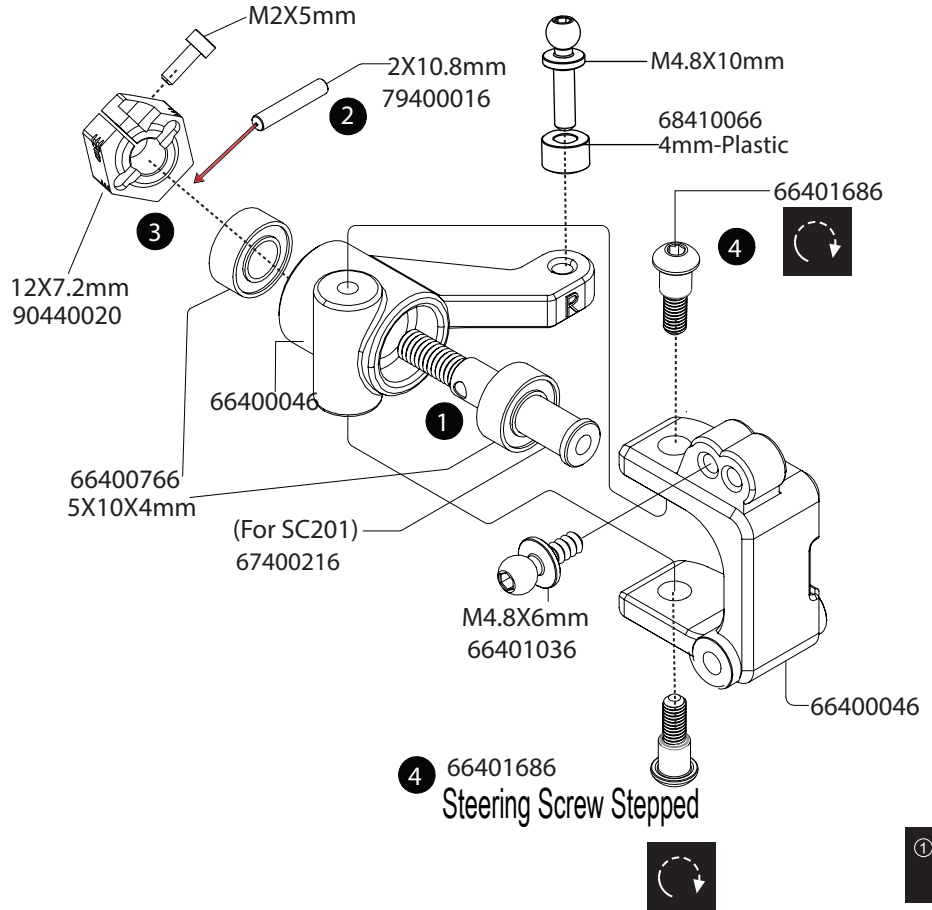
 Assemble in the specified order.



### B3 Front Spindle[Right Side]



- 2  
Steering Screw Stepped -66401686
- 1  
M4.8mmx6mm Ball Studs-68430036
- 1  
M4.8x10mm Ball Studs- 68430076
- 2  
M2X5mm — 87400066
- 2  
5x10x4mm ZZ Ball Bearing  
89430010

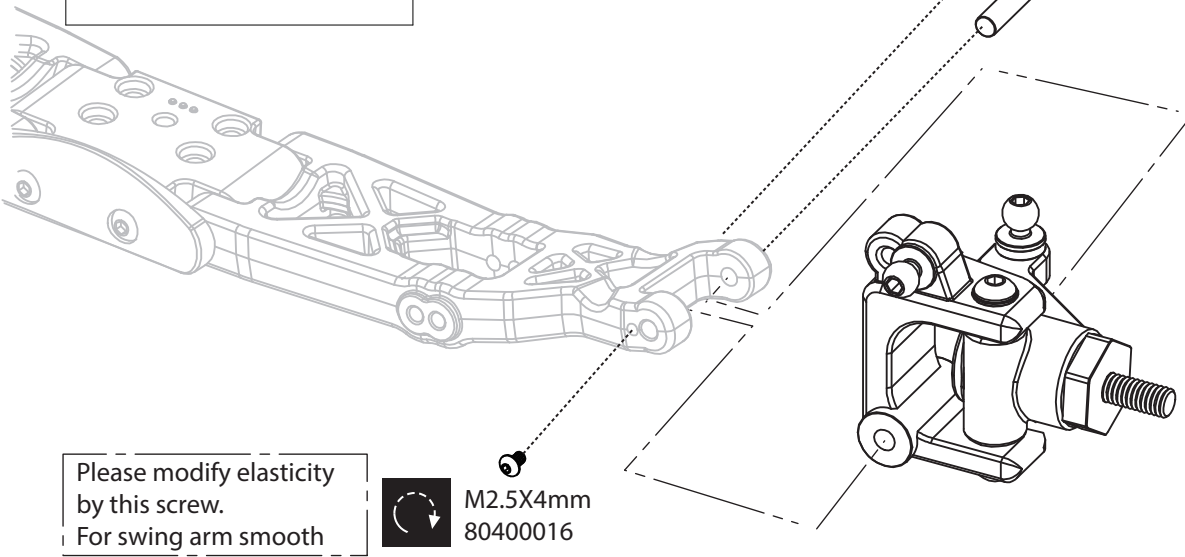
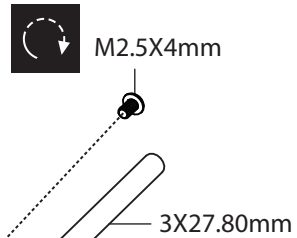


### B4 Front Suspension[Left Side]

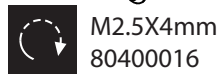


- 2  
2.5x4x(5.4)mm  
80400016
- 2  
3x27.8mm Pin  
79400106

Please modify elasticity  
by this screw.  
For swing arm smooth









Please modify elasticity  
by this screw.  
For swing arm smooth

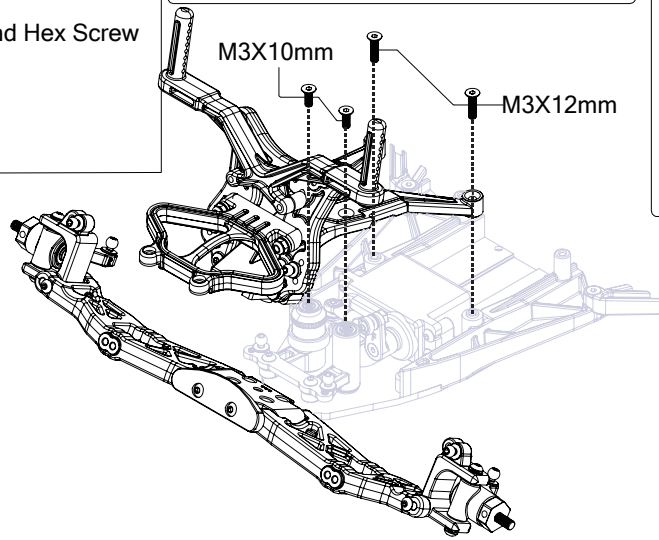
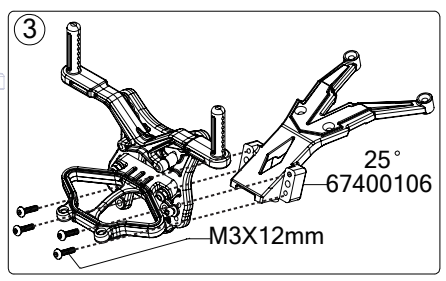
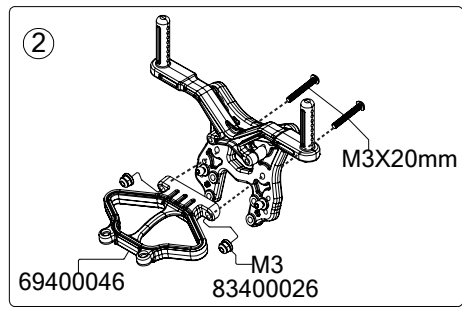
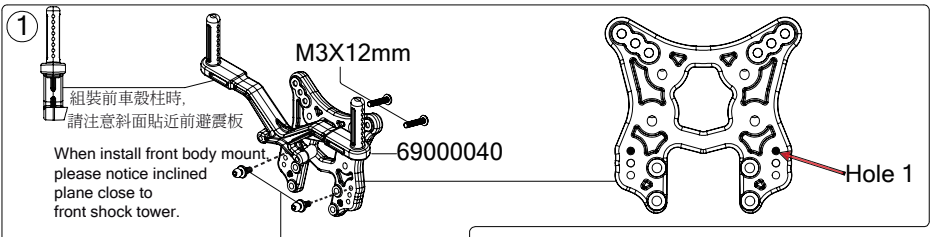




# B5 Front Shock Stay

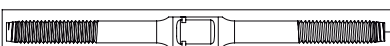
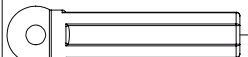


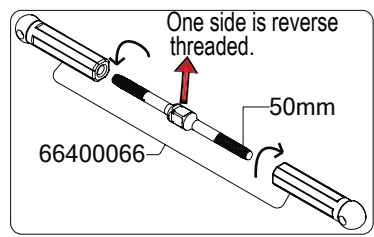
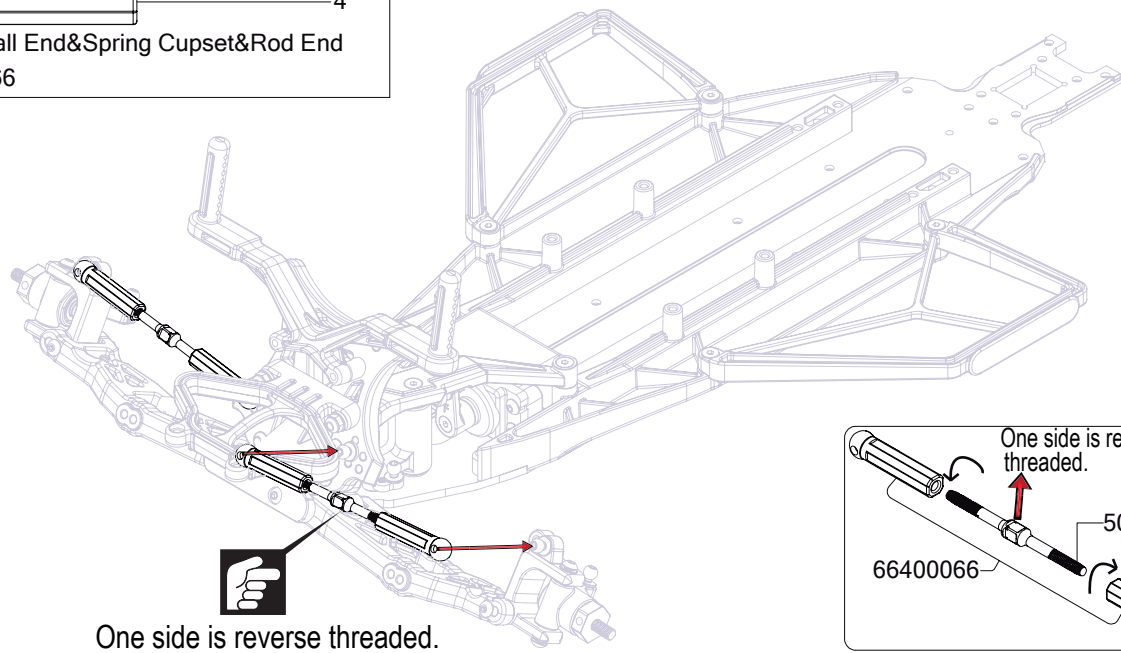
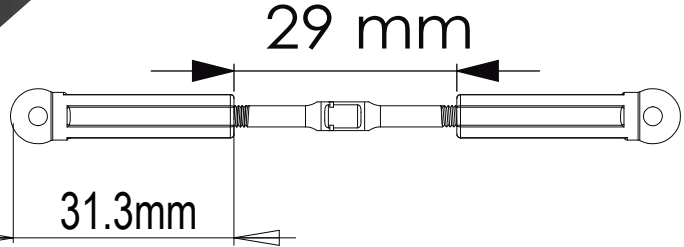
-  2  
M3x10mm Flat Head Screw  
82400106
-  2  
M3x12mm Flat Head Screw  
82400036
-  6  
M3x12mm Button Head Hex Screw  
80400206
-  2  
M3x20mm Button Head Hex Screw  
80400066
-  2  
M4.8x6mm Ball Studs  
68430036
-  2  
M3 Lock Nut  
83480026



# B6 Front Suspension



-  2  
50mm Turnbuckle Rods  
68480886
-  4  
Shock Ball End & Spring Cupset & Rod End  
66400066



Part Bags used.



Note the direction.



1:1 True-to-scale diagram.






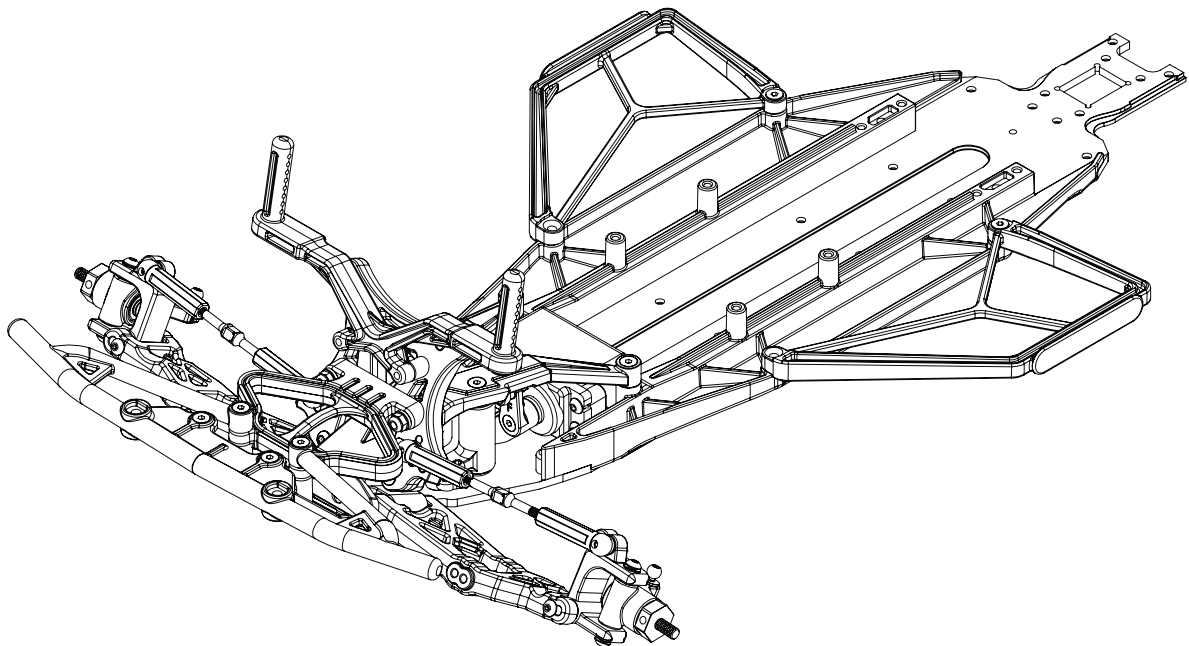
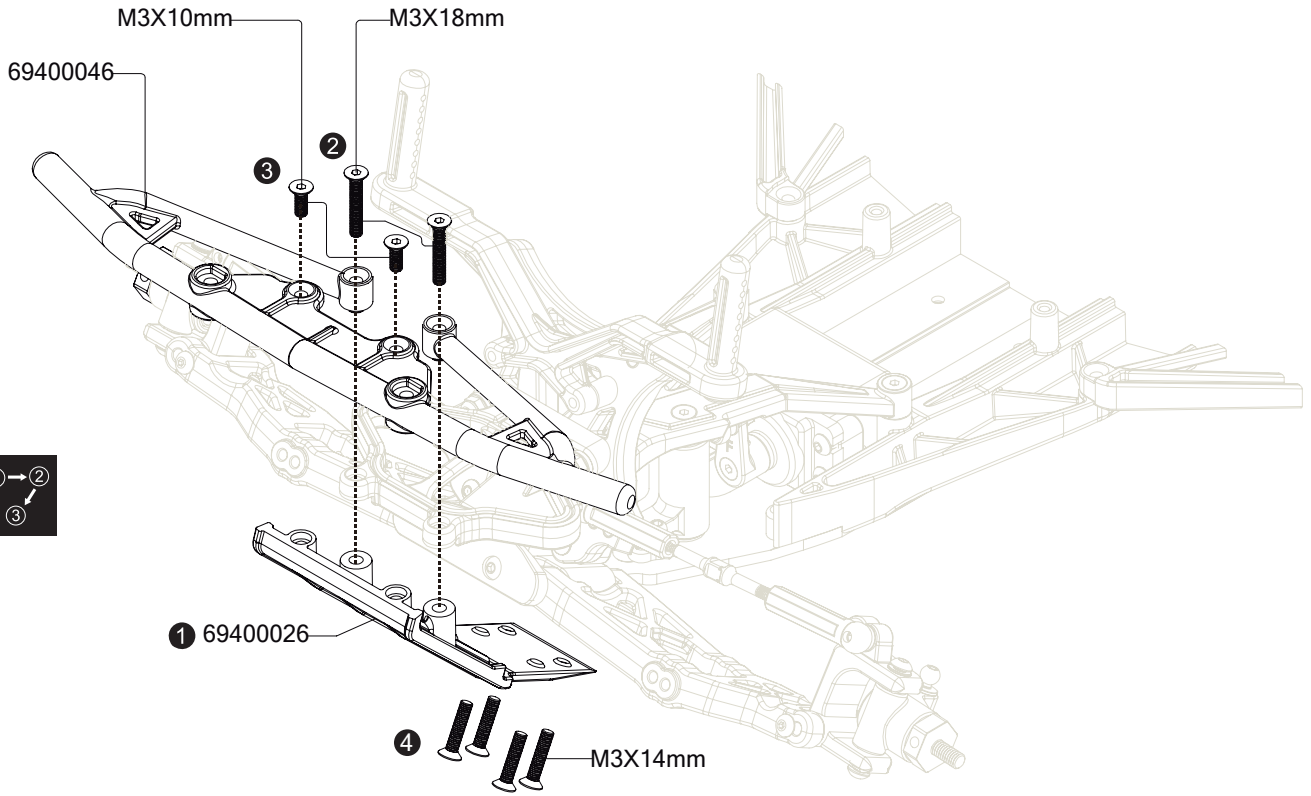
Assemble in the specified order.



# B7 Front Suspension

BAG  
B

-  2  
M3X10mm Flat Head Hex Screw -82400106
-  4  
M3X14mm Flat Head Hex Screw -82400046
-  2  
M3X18mm Flat Head Hex Screw -82400126



Part Bags used.

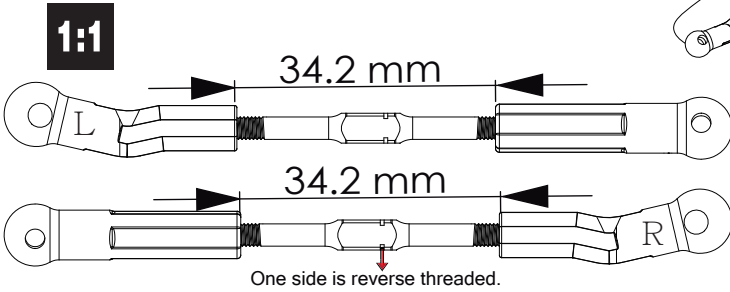
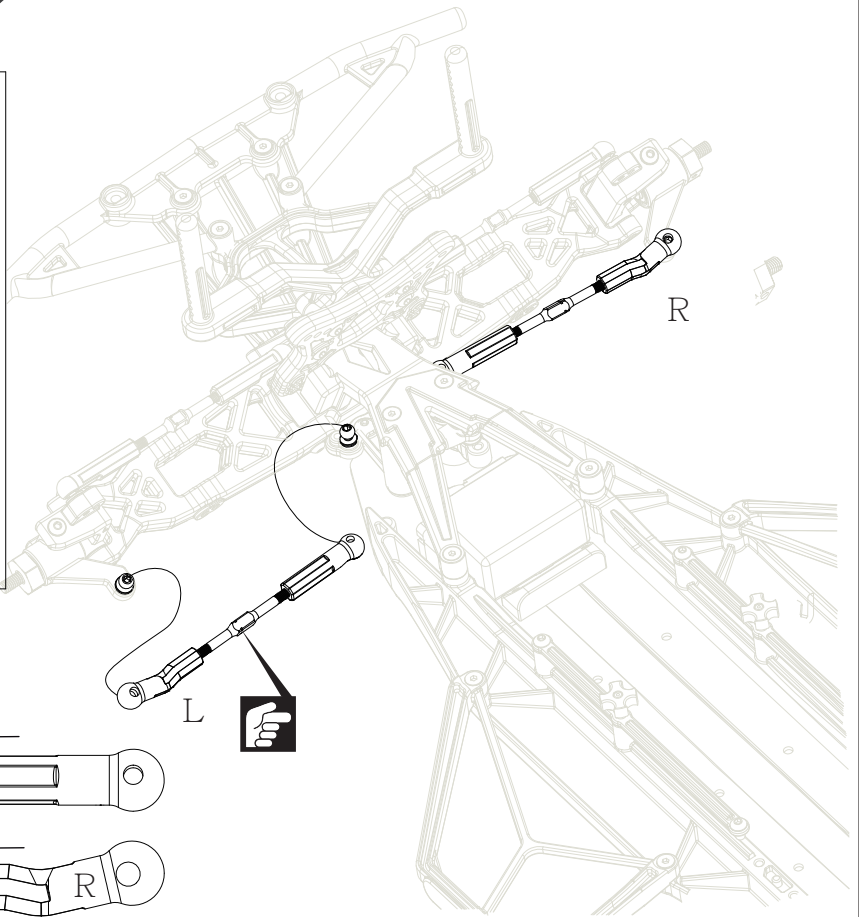
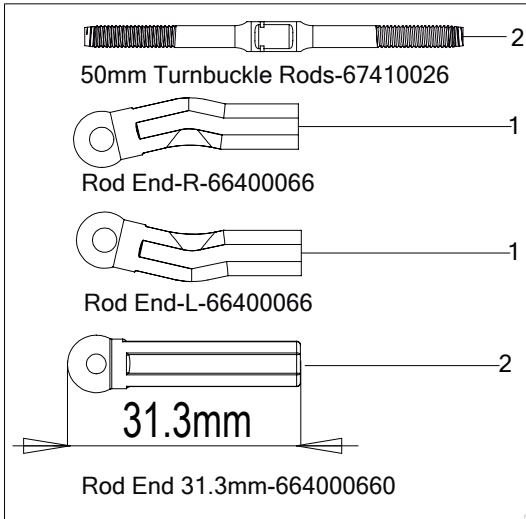


Assemble in the specified order.



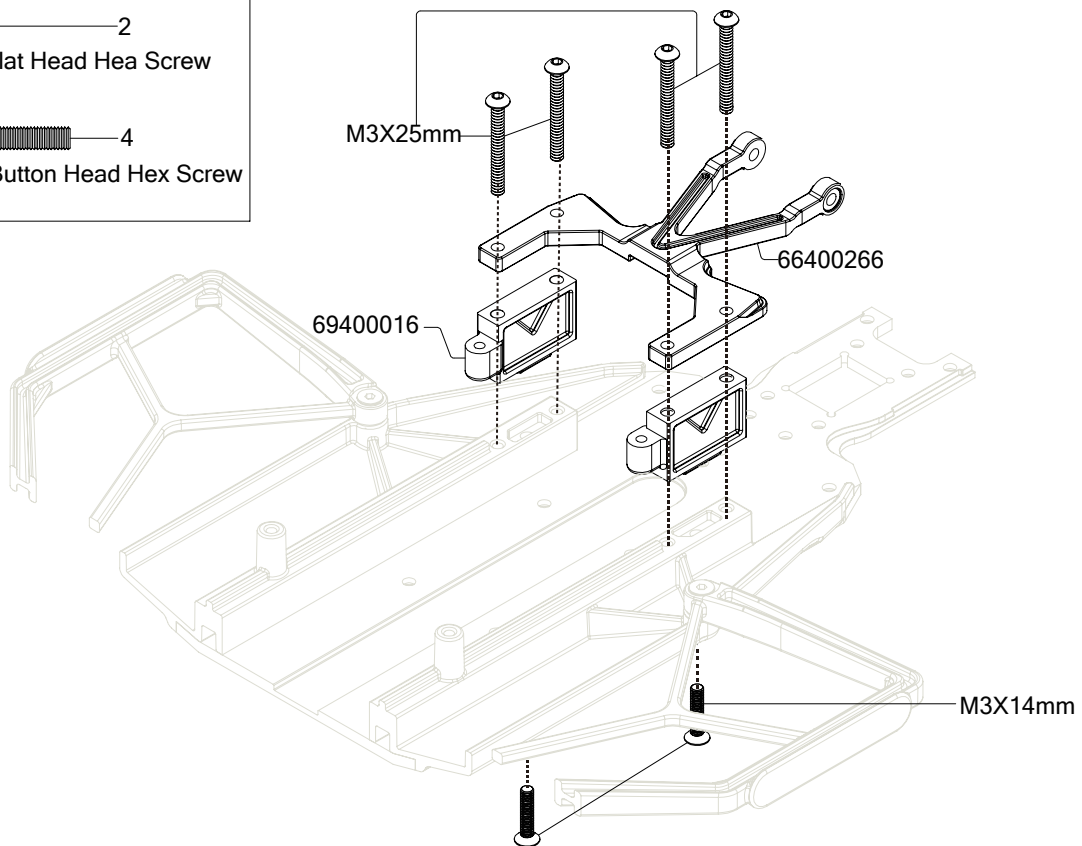
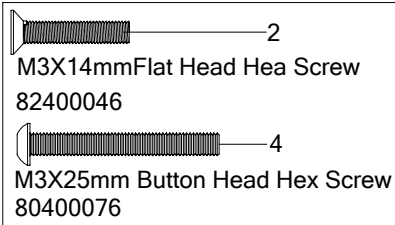
# B8 Front Suspension

BAG B



BAG C

# C1 Battery Tray

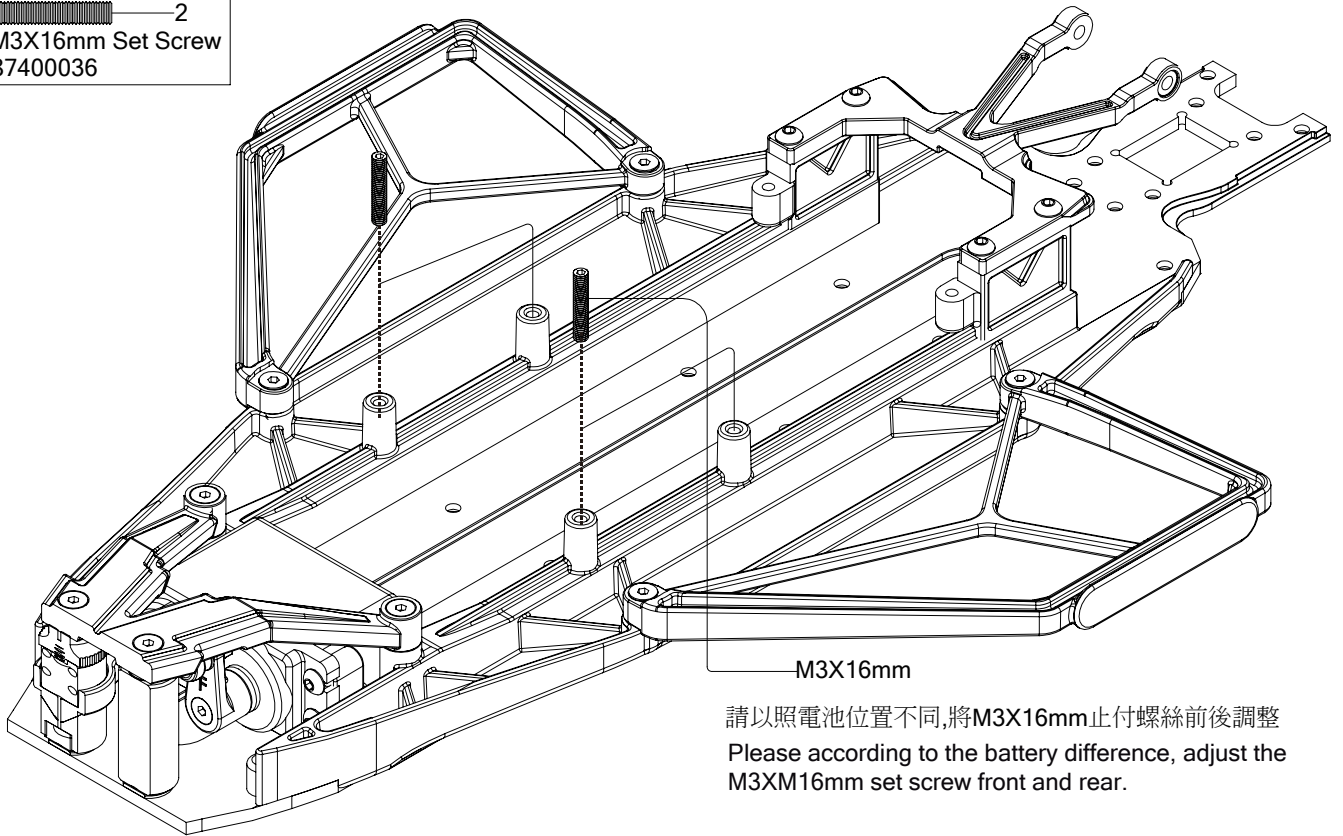




# C2 Battery Column

BAG C

2  
M3X16mm Set Screw  
87400036



M3X16mm

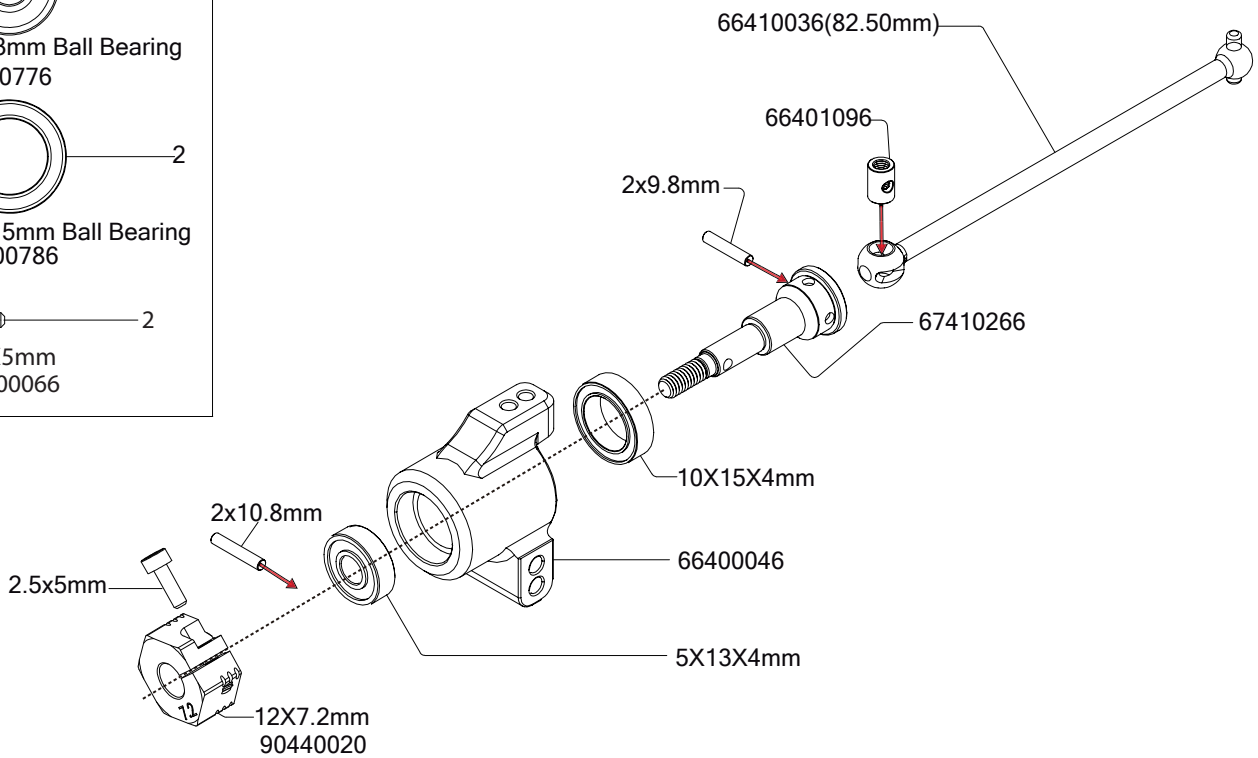
請以照電池位置不同,將M3X16mm止付螺絲前後調整  
Please according to the battery difference, adjust the M3XM16mm set screw front and rear.

BAG C

# C3 Rear Hub & CV

x2 L/R ①→②→③



- 2  
5X13mm Ball Bearing  
66400776
- 2  
10X15mm Ball Bearing  
66400786
- 2  
M2X5mm  
87400066

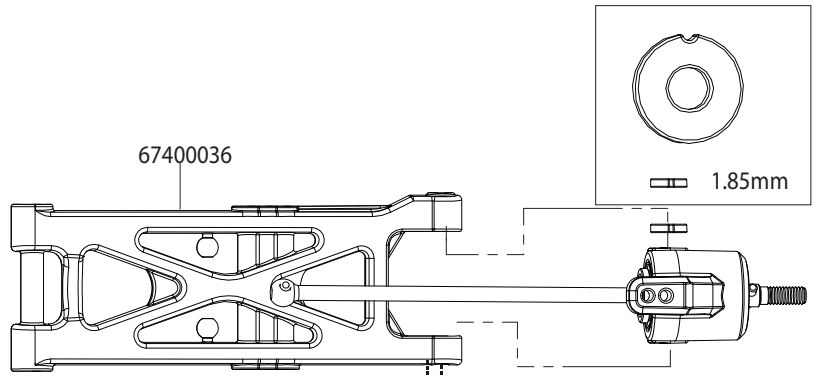




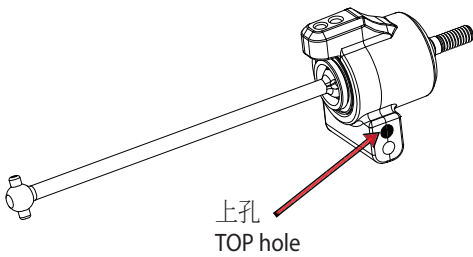
### C4 Rear Hub [Left Side]



-  2  
2.5x4mm Button Head Hex Screw  
80400016
-  2  
3x36.8mm pin-66430110



Fornt




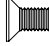


Please modify elasticity  
by this screw.  
For swing arm smooth

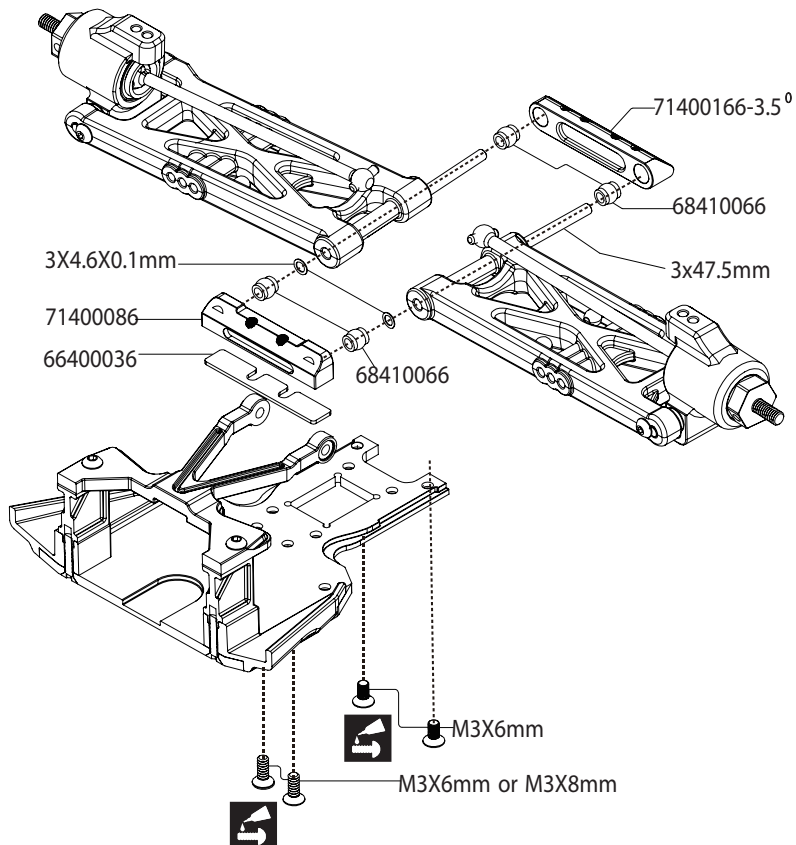
M2.6x4mm



### C5 Rear Suspension



-  2  
M3X6mm Flat Head Hex Screw  
82400016
-  2  
M3X8mm Flat Head Hex Screw  
82400026
-  2  
3X4.6X0.1mm Washer  
85440220
-  2  
3X47.5mm-66430120



Part Bags used.



Note the direction.



Assemble left and right sides the same way.



Apply threadlocker (screw cement)



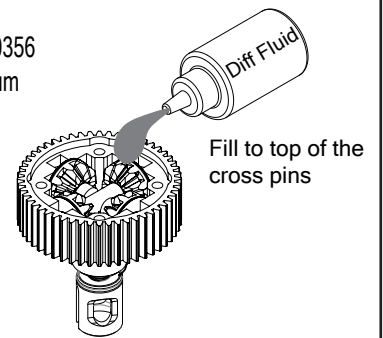
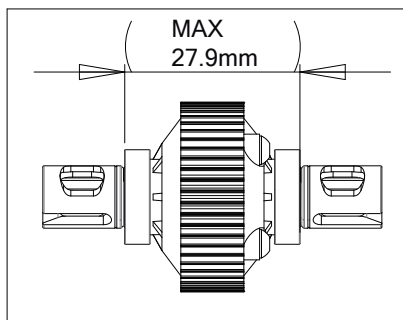
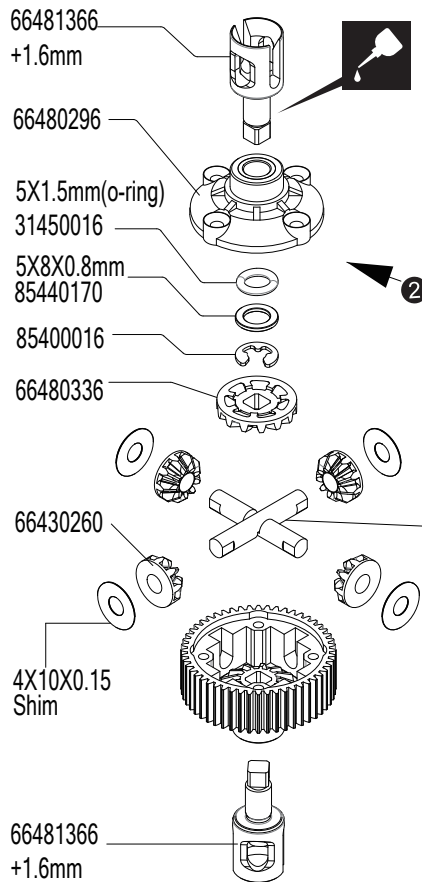
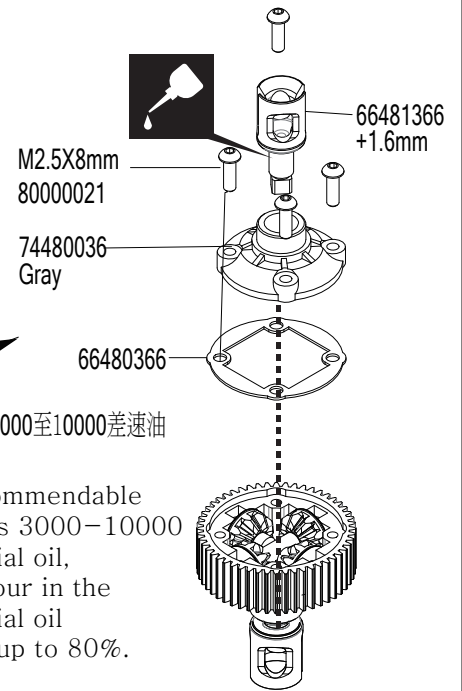
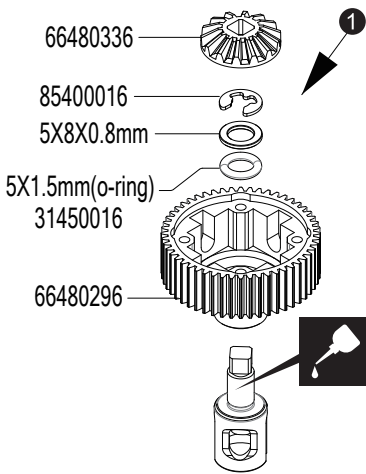
# D1(A) Gear Differential

4  
M2.5X8mm Flat Head Screw 80000021

2  
5X8x0.8mm Shim 85440170

4  
4X10x0.15mm Shim 85440160

2  
3.5mmE buckle 85400016



Low Traction 5000cst  
Medium High Traction 7000cst  
Super High Traction 10000cst



Part Bags used.



Assemble in the specified order



Apply threadlocker (screw cement)







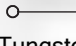

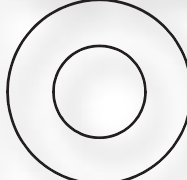



Apply oil.

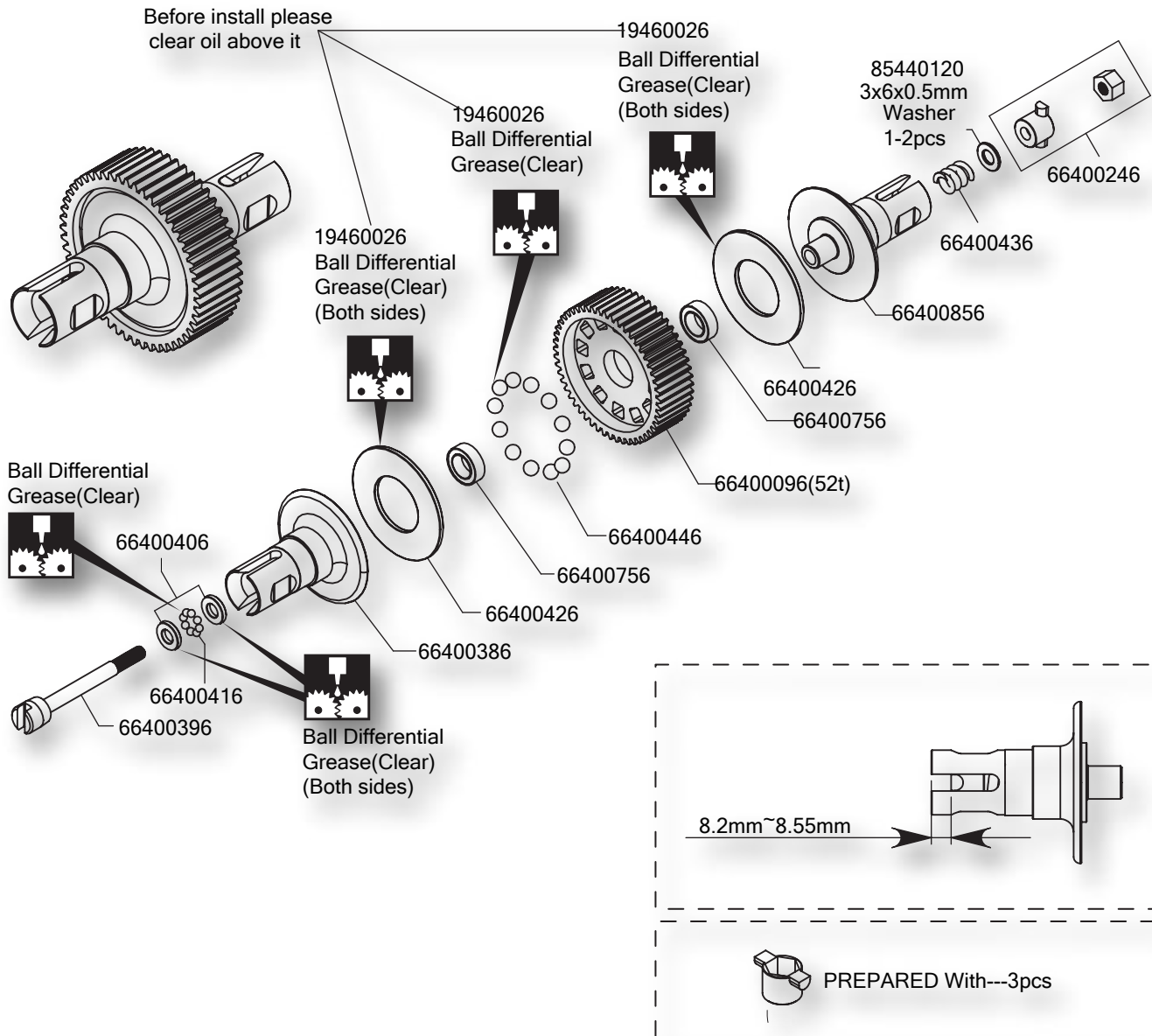




# D1(B) Ball Diff Version Option Parts

	1				1
<b>Differential Studs</b>		<b>3.0mm Carbide Diff Ball Set</b>		<b>3x6x0.5mm Washer</b>	
	2		2		1
<b>Differential Washer</b>		<b>5x8x2.5mm Ball Bearing</b>		<b>Differential Oil</b>	
	8		1		
<b>Tungsten Carbide Thrust Ball Set</b>		<b>Differential Spring</b>			
	2		1		
<b>Drive Ring</b>		<b>Differential Nut Holder</b>			

Ball Diff Version (PART NO:66401266)





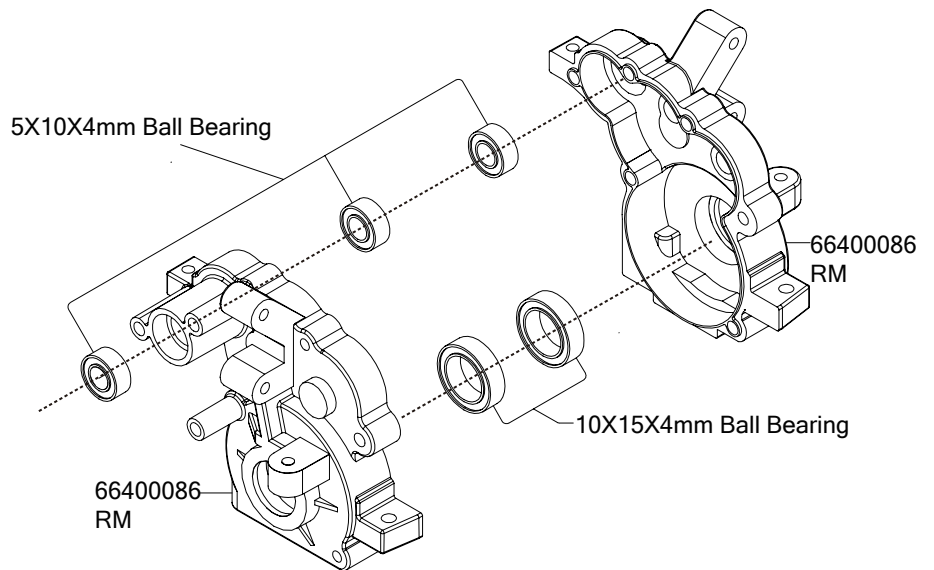
# D2 Motor Mounts [Rear Motor]



5x10x4mm Ball Bearing -66400766



10x15x4mm Ball Bearing -66400786



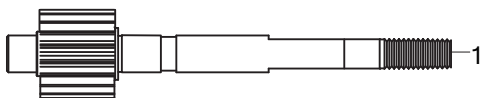
# D3 Transmission Assembly [Rear Motor]



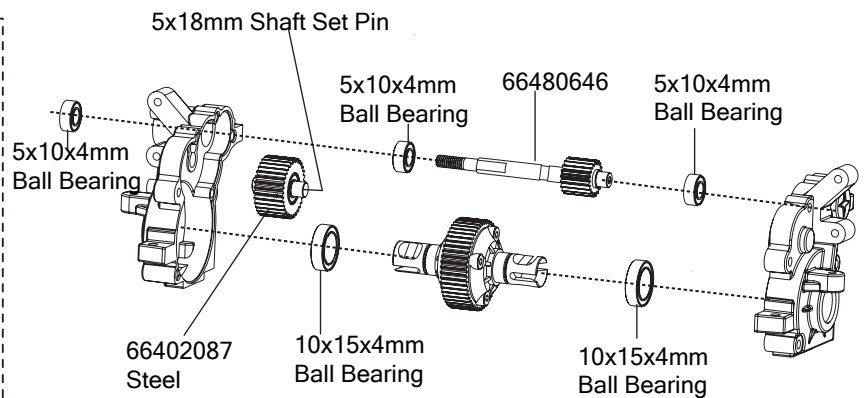
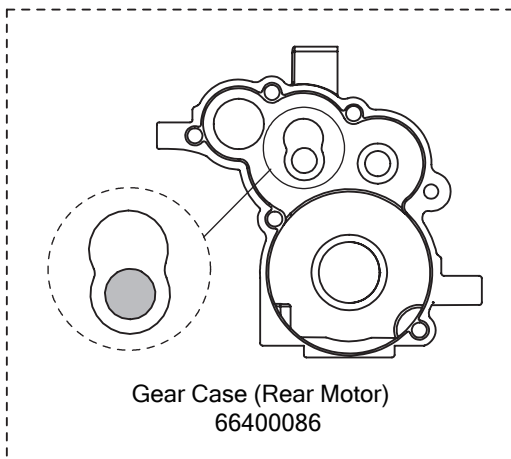
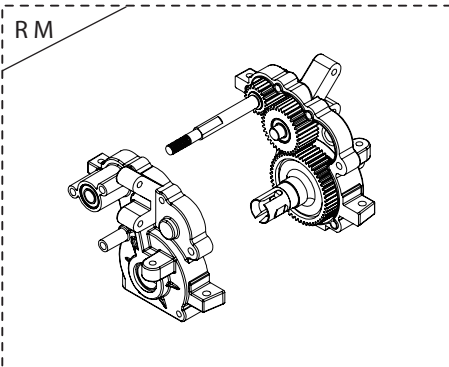
5x10x4mm Ball Bearing  
66400766



5x18mm Shaft Set Pin  
66480236







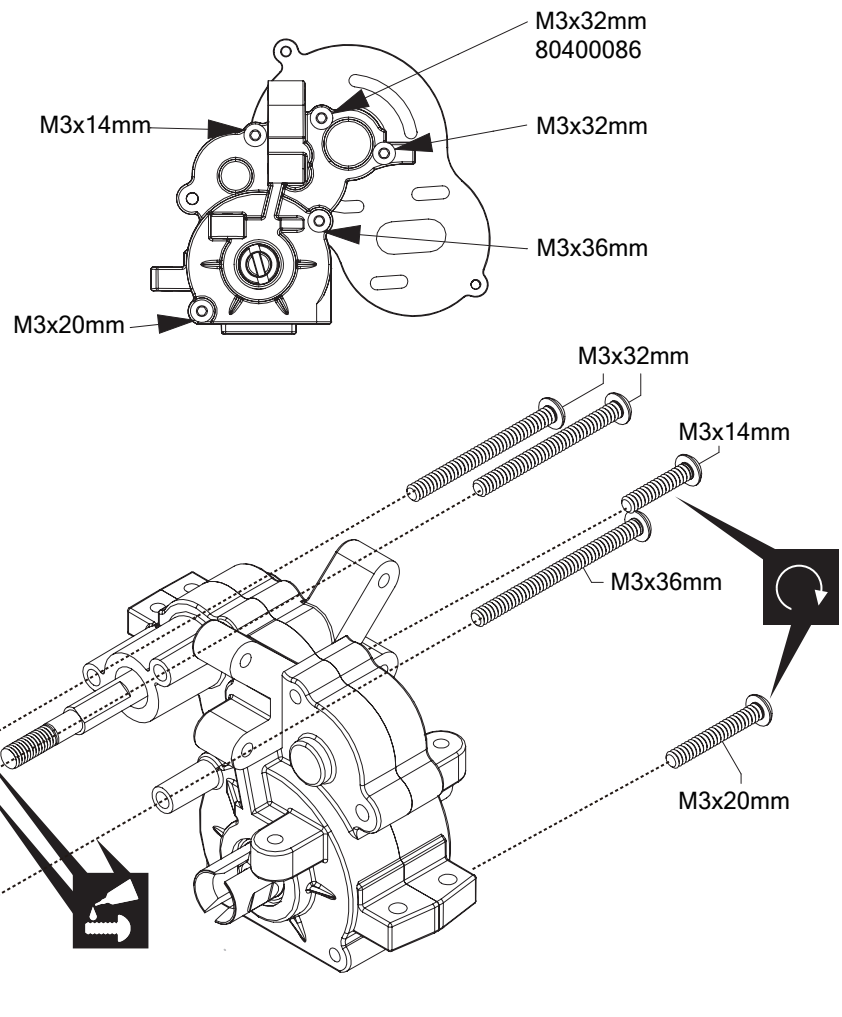
Light Whight(20t) -66480646





## D4 Motor Mounts [Rear Motor]

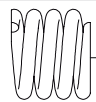
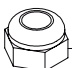
-  1  
3x14mm Button Head Hex Screw  
80400056
-  1  
3x20mm Button Head Hex Screw  
80400066
-  2  
3x32mm Button Head Hex Screw  
80400086
-  1  
3x36mm Button Head Hex Screw  
80400096

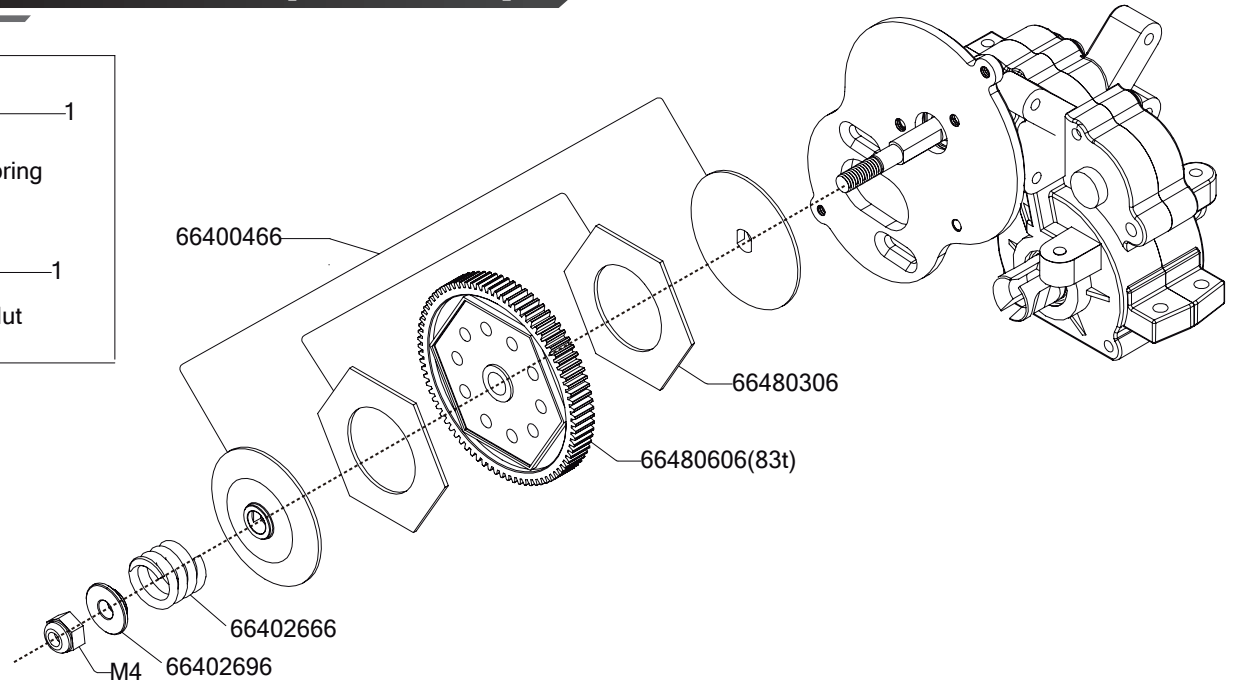


66400516



## D5 Main Gear [Rear Motor]

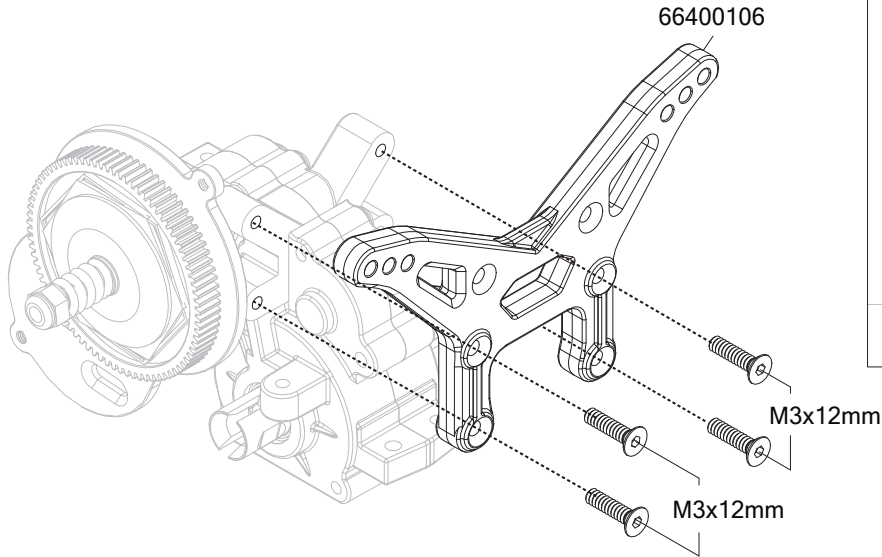
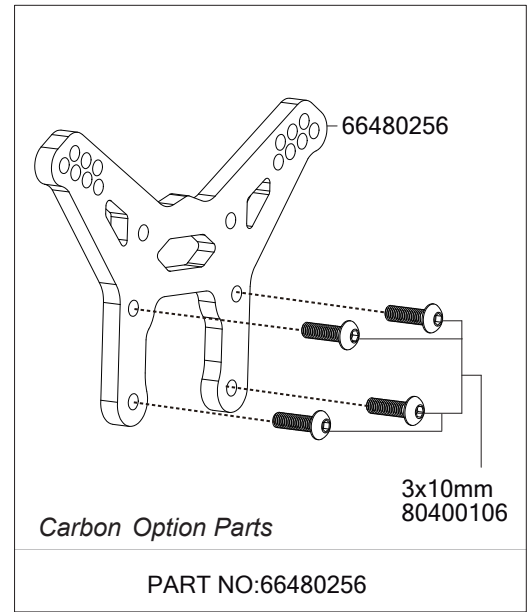
-  1  
Slipper Spring  
66480826
-  1  
M4 Lock Nut  
83400036





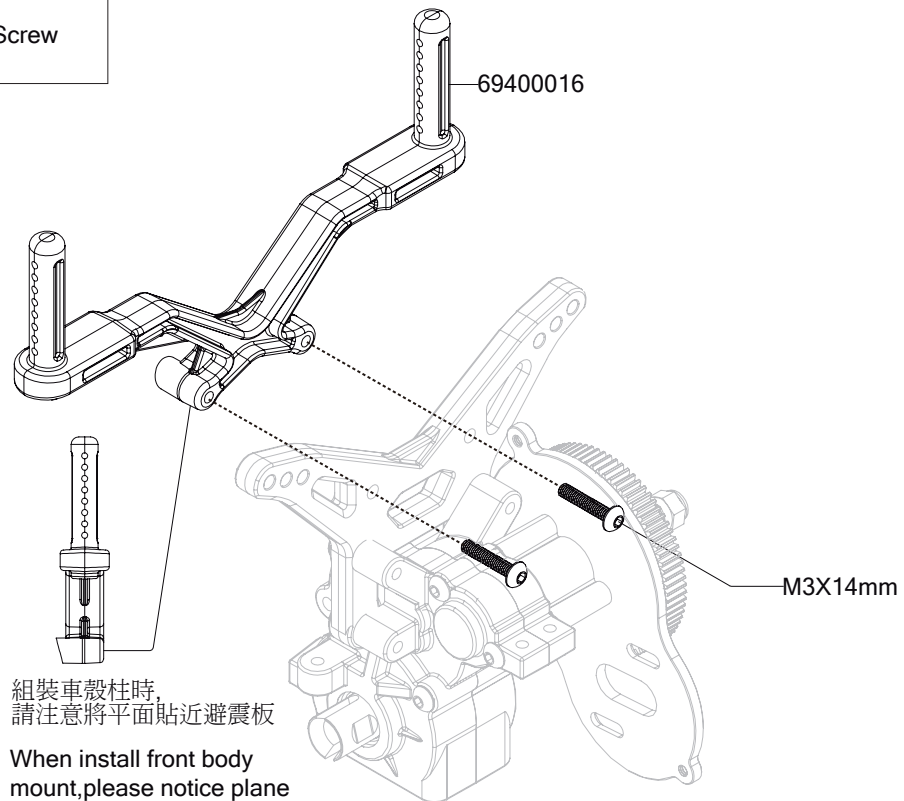
# D6 Rear Shock Stay [Rear Motor]

4  
3x12mm Flat Head Hex Screw  
82400036



# D7 Wing Mount [Rear Motor]

2  
3x14mm Button Head Hex Screw  
80400056








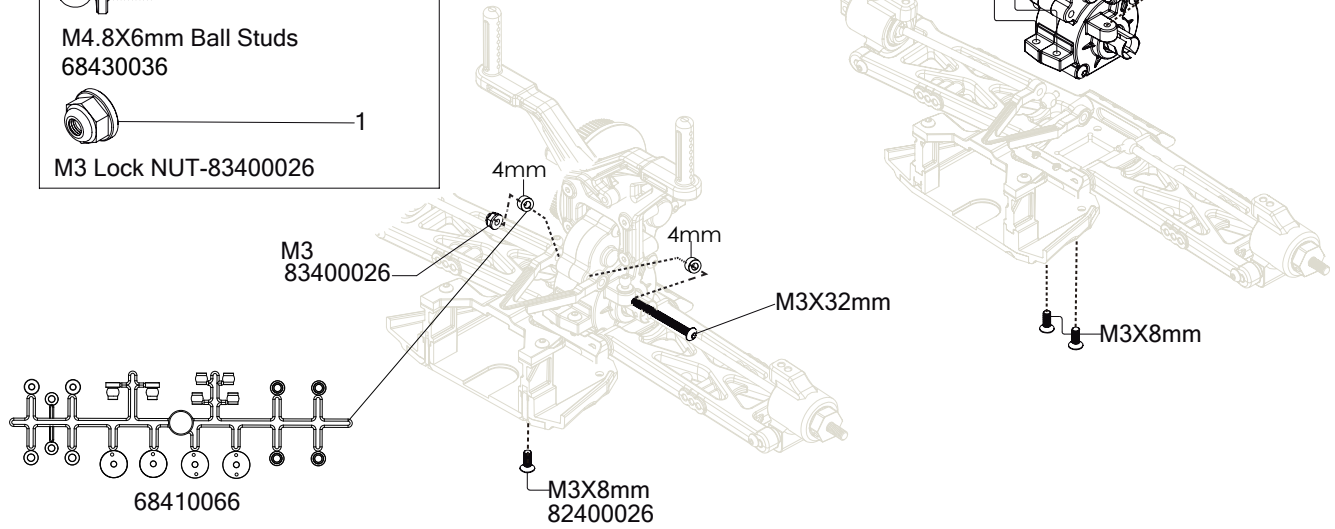
組裝車殼柱時，  
請注意將平面貼近避震板

When install front body  
mount, please notice plane  
close to front shock tower.

## D8 Rear Gear Box

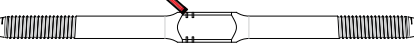
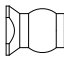

BAG D

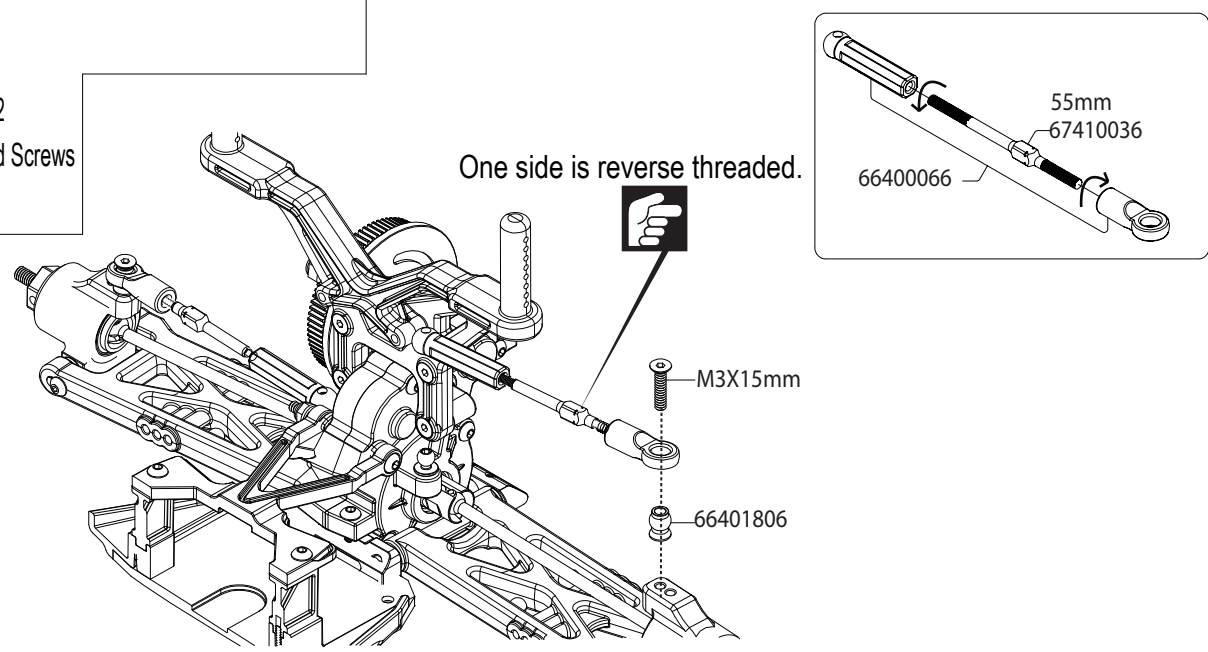
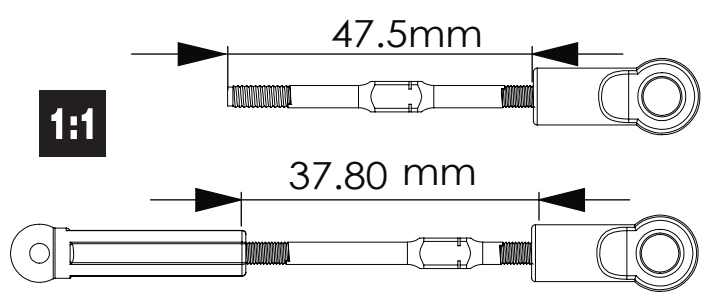
-  3  
M3X8mm Flat Head Hex Screw  
82400026
-  2  
M3X8mm Button Head Hex Screw  
80400036
-  1  
M3X32mm Button Head Hex Screw  
80400086
-  2  
M4.8X6mm Ball Studs  
68430036
-  1  
M3 Lock NUT-83400026



## D9 Rear Suspension

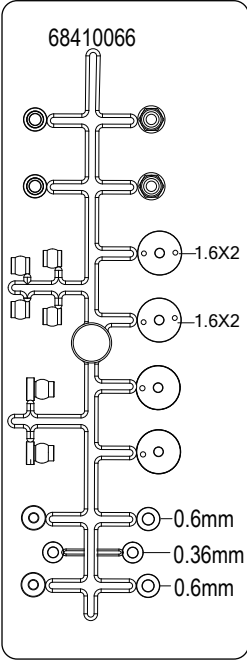
BAG D

-  2  
77430066-55mm Turnbuckles
-  2  
66401806-Ball Joint
-  2  
M3x15 mm Flat Head Screws  
82400176





# E1 Front & Rear Shock Assembly



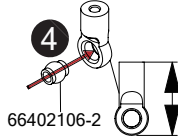
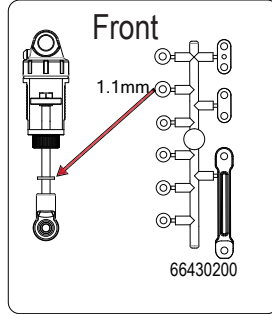
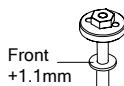
83400066 M2.5 **1** Apply threadlocker (screw cement)

Do not over tighten

- 85440070 2.6x6x0.5mm
- Front 77410016 (44mm)
- Rear 77410026 (51mm)

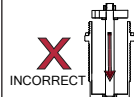
- 31280146 14x1.2mm
- Front-17430156 31.8mm
- Rear-17430166 39.7mm

- 31430017 68410066 0.6mm
- 66430070



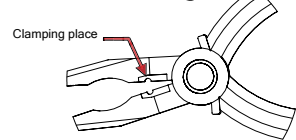
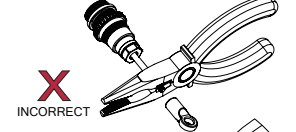
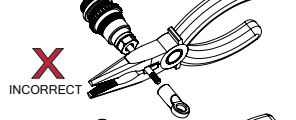
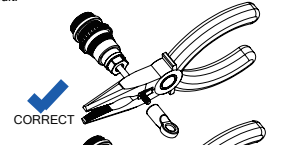
- 66400066
- Front (21.5mm)
- Rear (18.5mm)

Rear Buildx2  
Front Buildx2



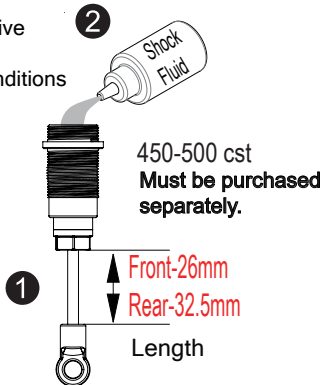
**EXTREMELY IMPORTANT**  
Do not push the shock rod straight through the lower shock body assembly; O-ring damage may result.

Twist the shock rod through the lower shock body assembly.

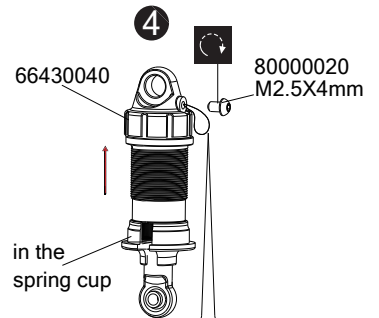
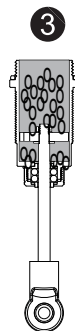


## E1.1

After first drive adjust for track conditions



Slowly move up and down to remove air bubbles.



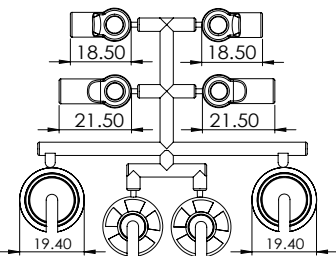
Slowly push the shock shaft all the way up, wipe away any excess oil that has seeped out, and screw in the bleeder screw.



## E1.2

### Front Shocks

### Rear Shocks



Shock End and Spring Cup Size Description :mm

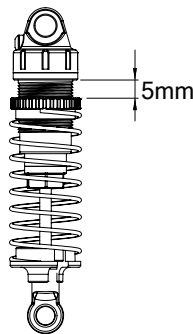
Apply oil.

- 31280136 O-Rings 15x1.2mm

- 17430167

- 67400126 Blue

- 66400186  $\phi 19.40$



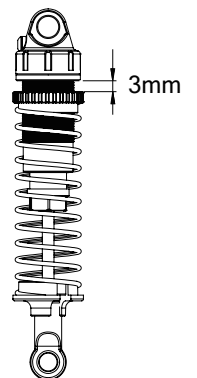
Apply oil.

- 31280136 O-Rings 15x1.2mm

- 17430167



- 02530086 Whith Yellow

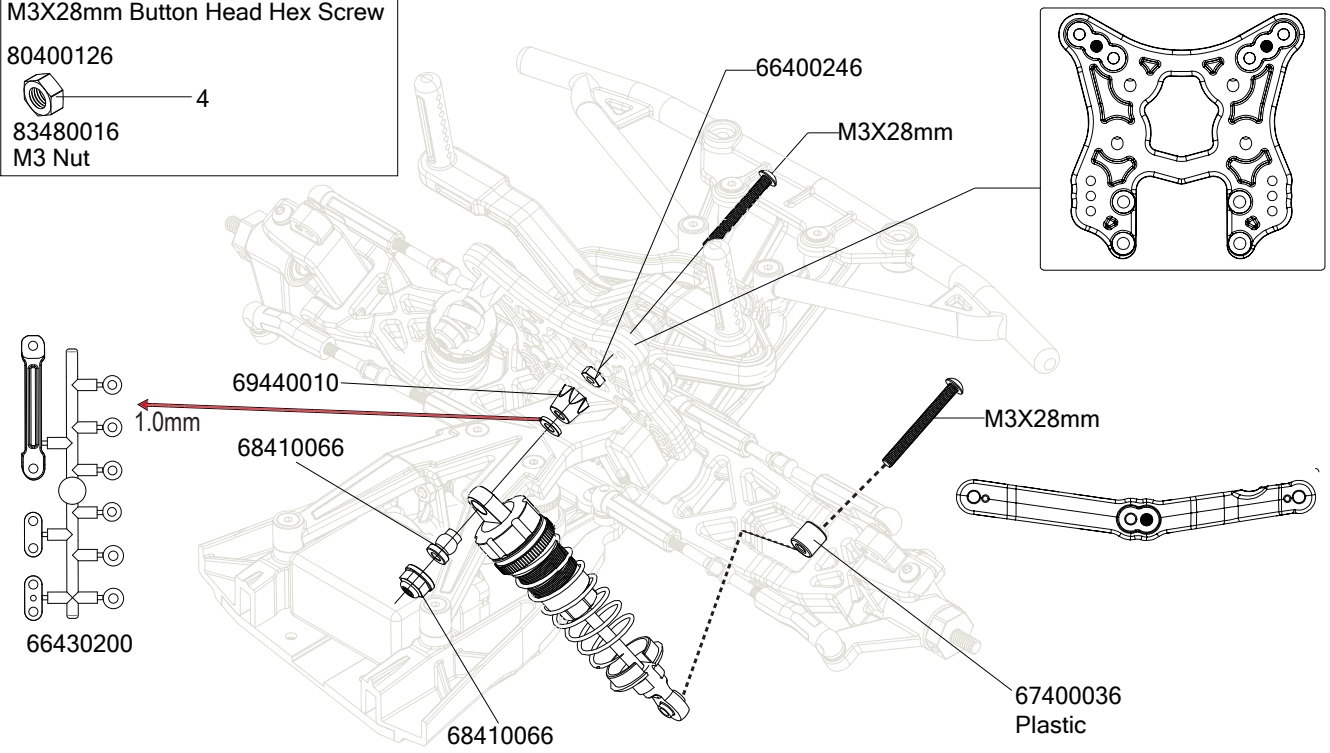
- 66400186  $\phi 19.40$







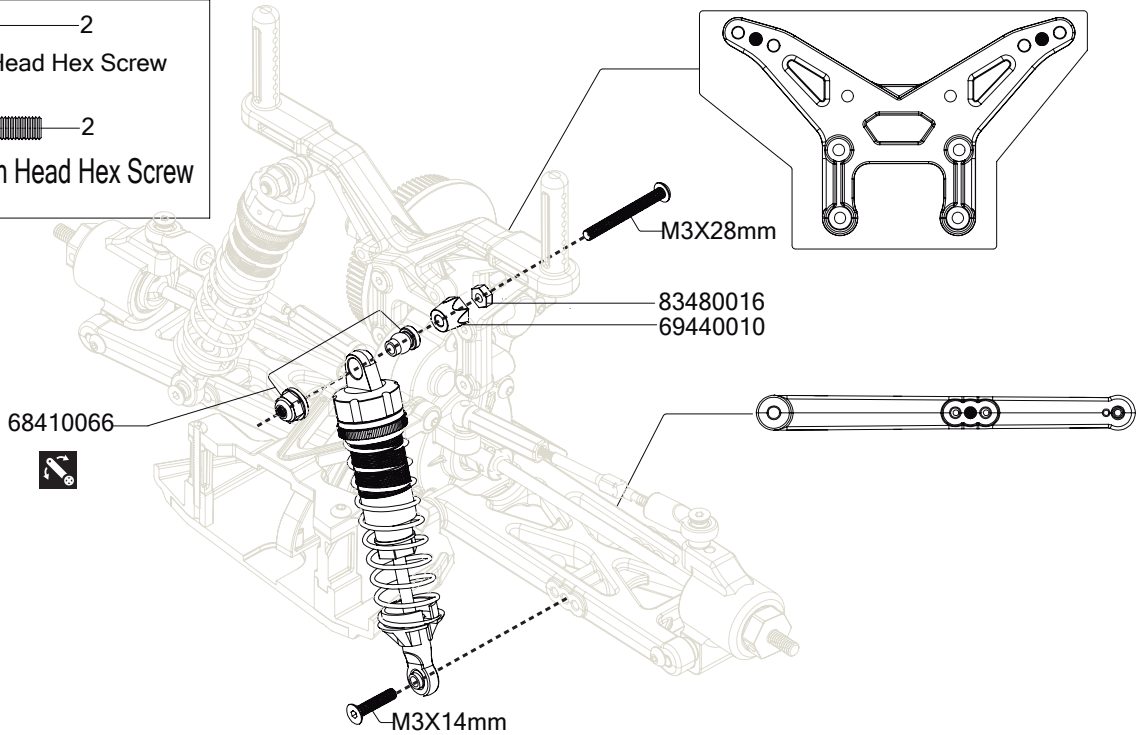
## E4 Front Suspension

-  4  
M3X28mm Button Head Hex Screw  
80400126
-  4  
83480016  
M3 Nut



## E5 Rear Suspension

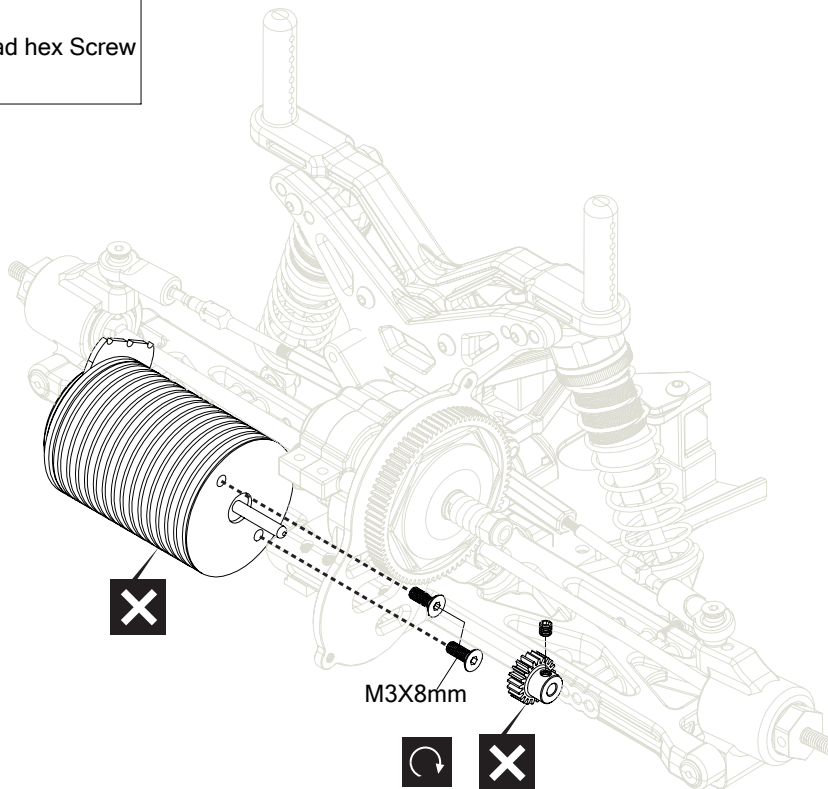
-  2  
M3X14mm Flat Head Hex Screw  
82400046
-  2  
M3X28mm Button Head Hex Screw  
80400126





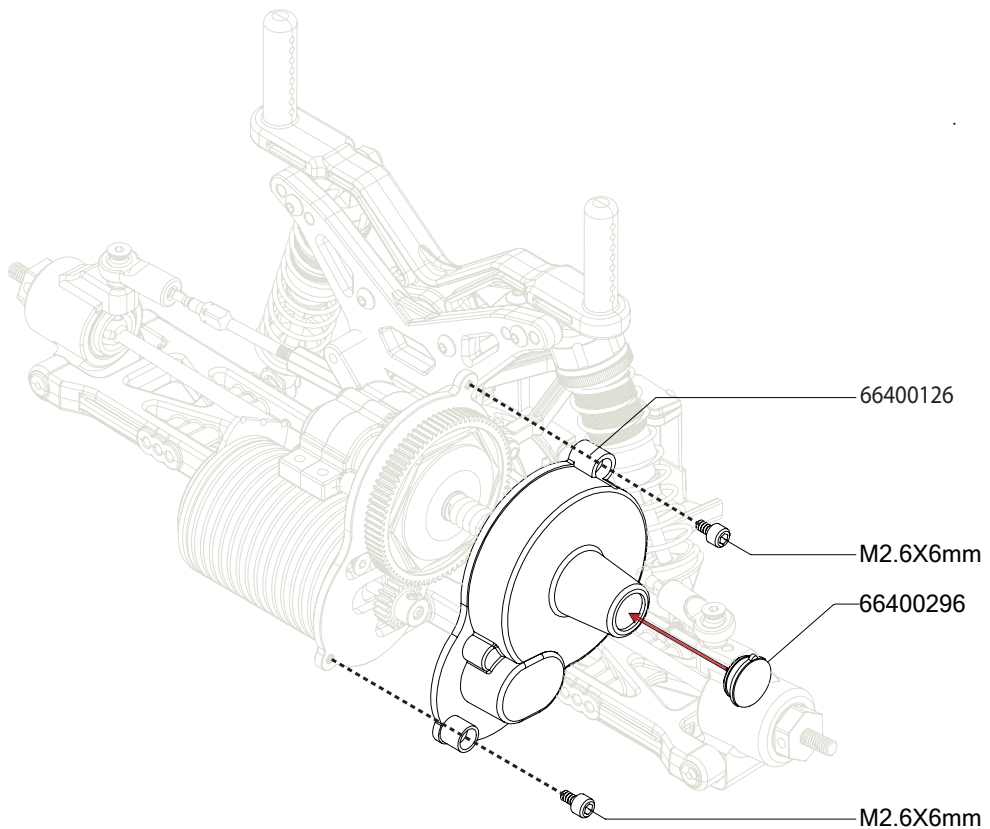
# E6 Motor

2  
 M3X8mm Flat Head hex Screw  
 82400026



# E7 Motor

2  
 M2.6mm Cap Screw  
 87400046



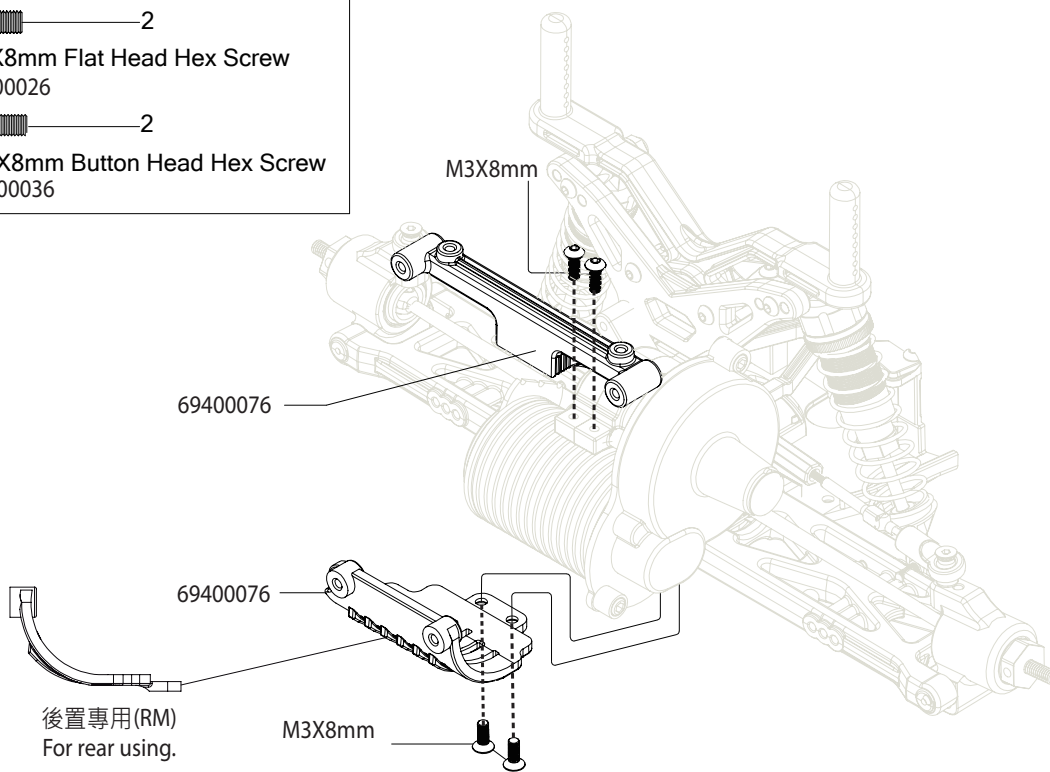




## E8 Motor guard

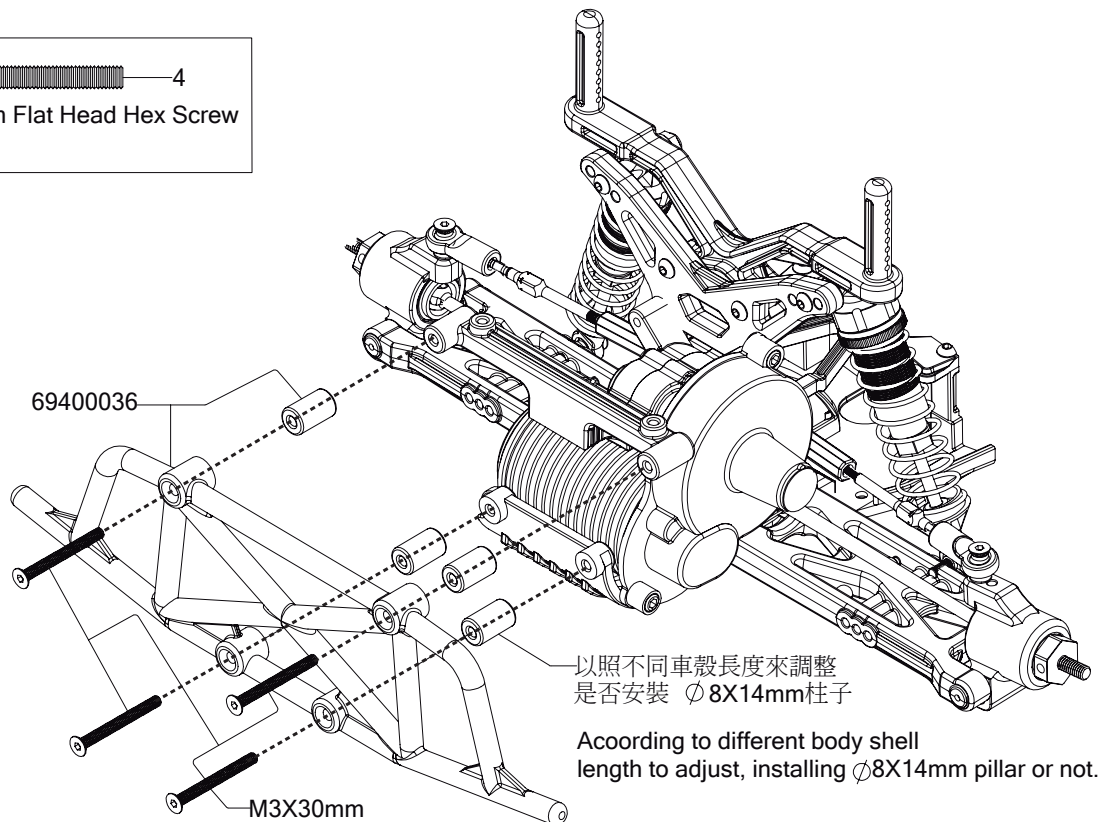
2  
M3X8mm Flat Head Hex Screw  
82400026

2  
M3X8mm Button Head Hex Screw  
80400036



## E9 Rear Suspension

4  
M3X30mm Flat Head Hex Screw  
80400136

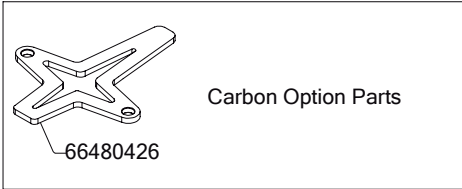


# E10 Battery Plate

BAG E

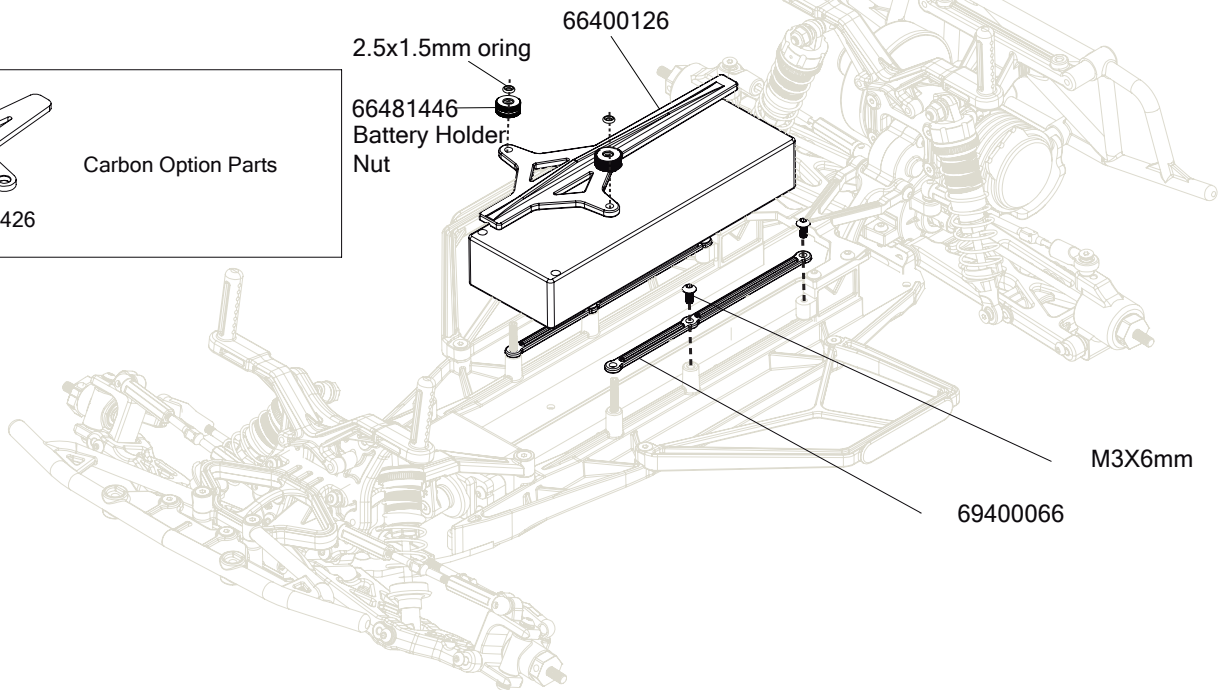


M3X6mm Button Head Hex Screw  
80400026



Carbon Option Parts

66480426



2.5x1.5mm oring

66400126

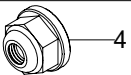
66481446  
Battery Holder  
Nut

M3X6mm

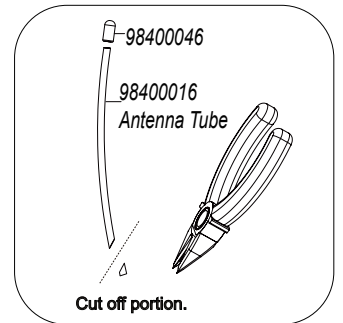
69400066

# E11 Tires Antenna Tube

BAG E



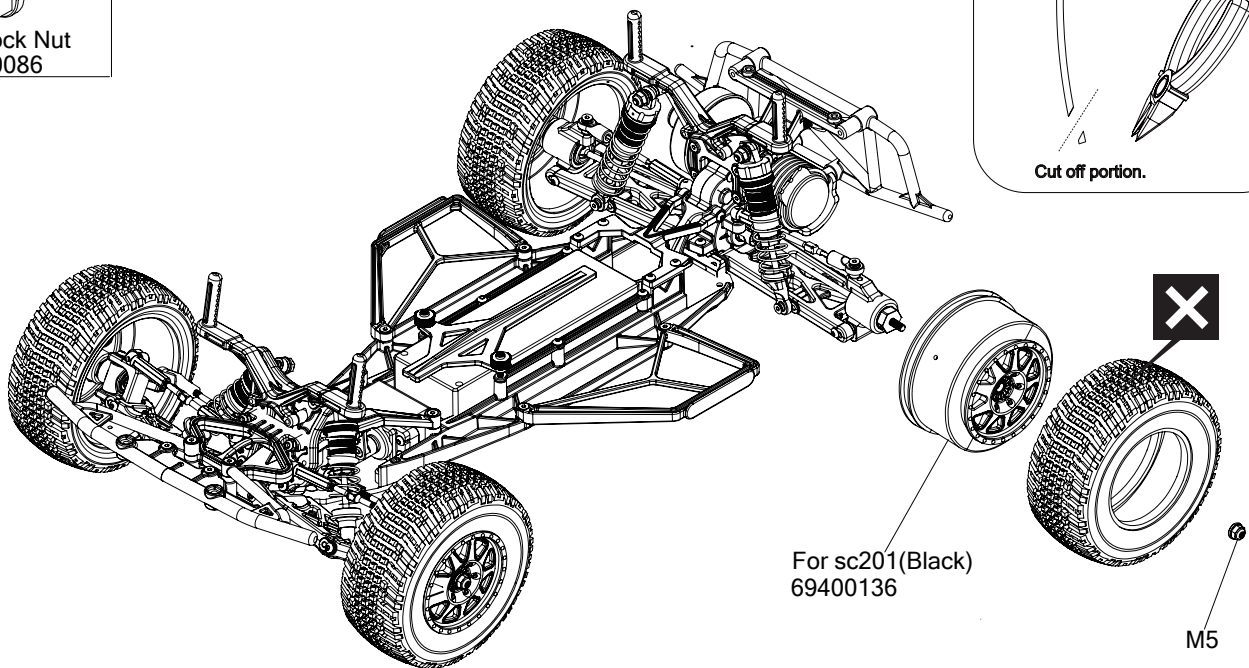
M5 Lock Nut  
83400086



98400046

98400016  
Antenna Tube

Cut off portion.




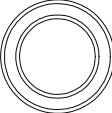
For sc201 (Black)  
69400136

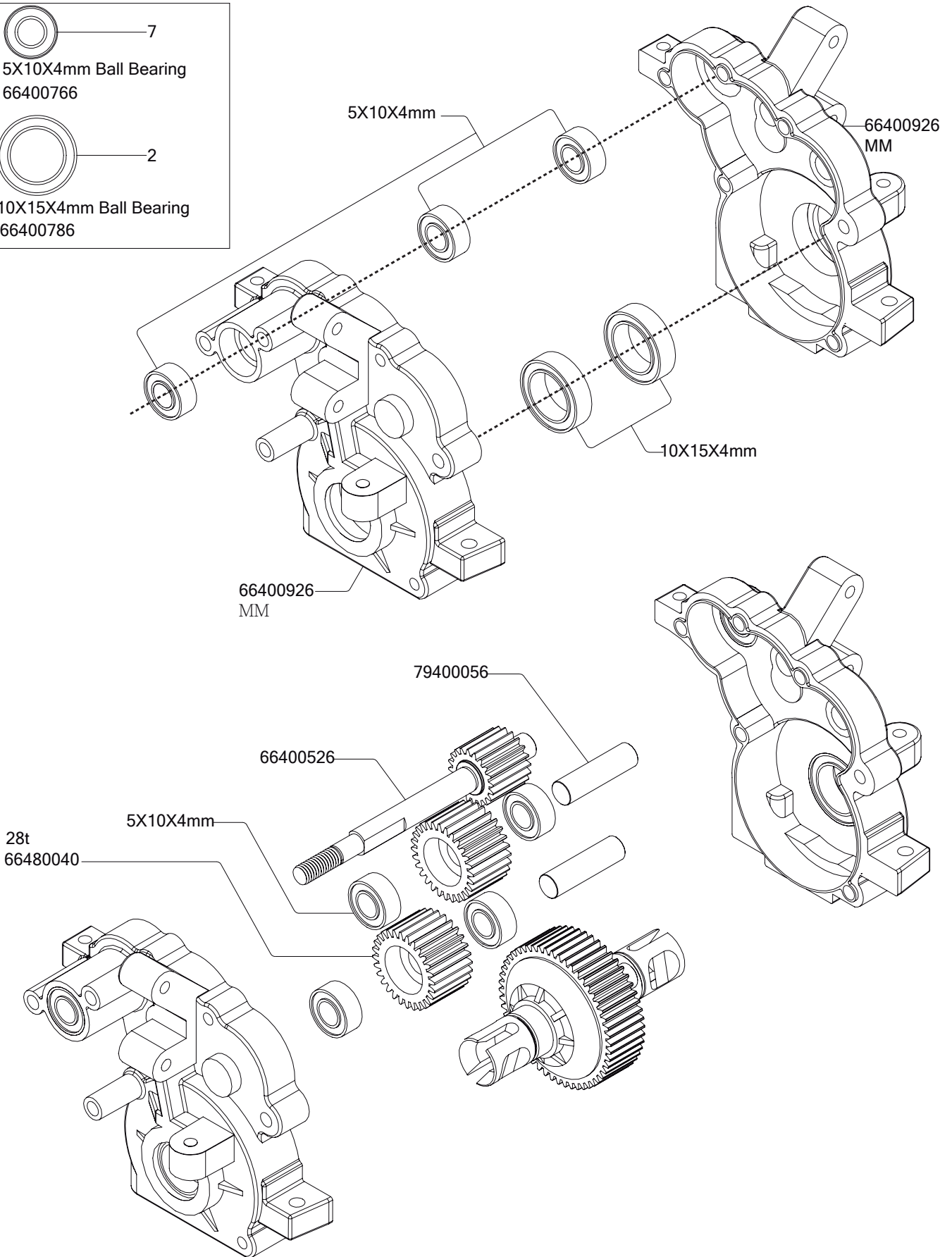
M5



# F1 Motor Mounts [Mid Motor]



 7  
5X10X4mm Ball Bearing  
66400766

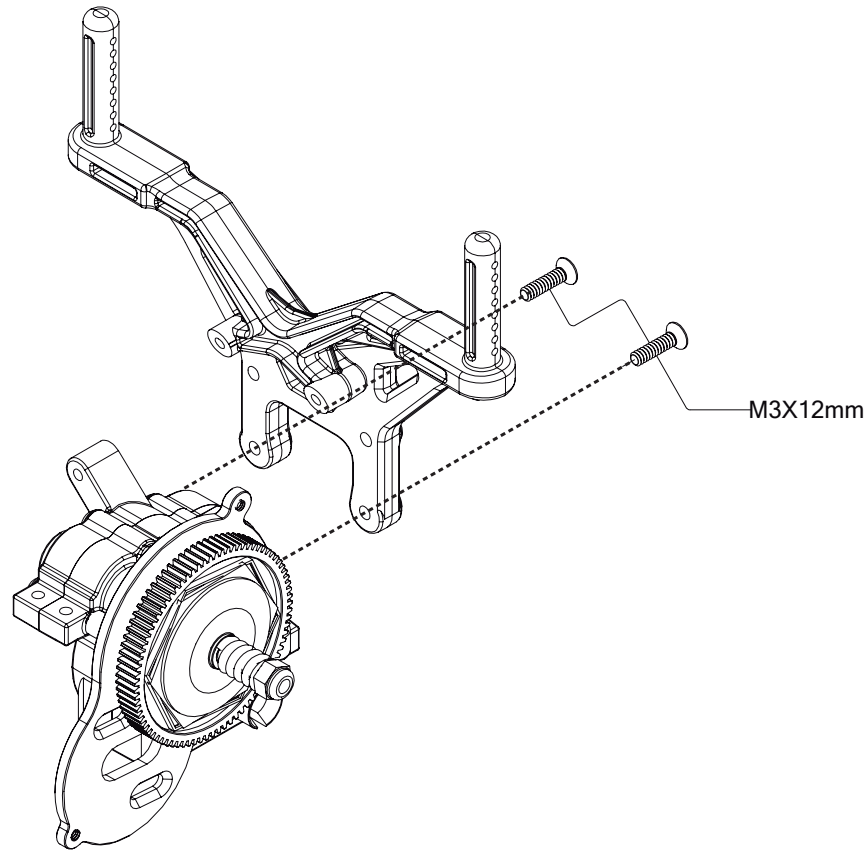
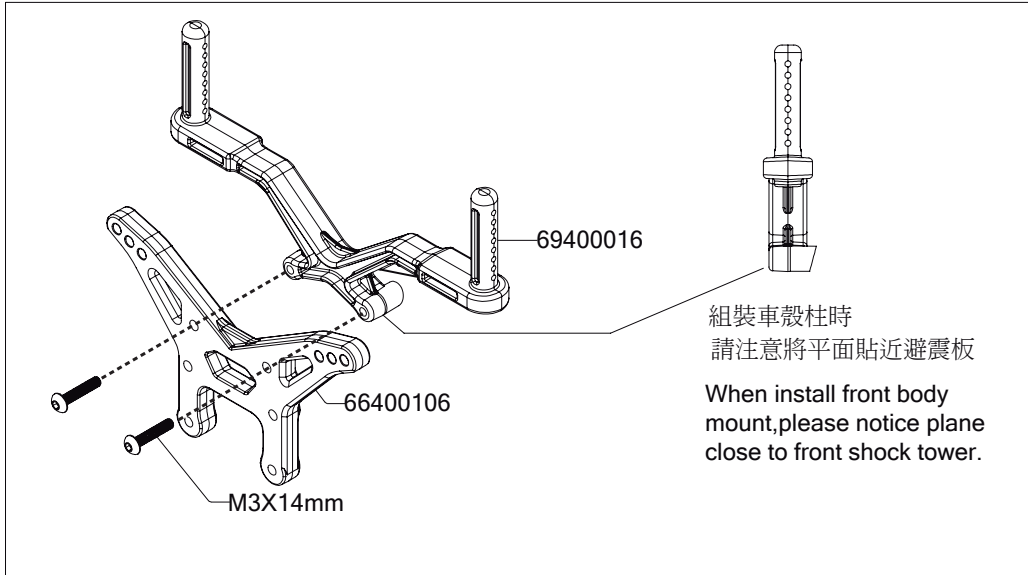
 2  
10X15X4mm Ball Bearing  
66400786





# F2 Motor Mounts(Mid Motor)

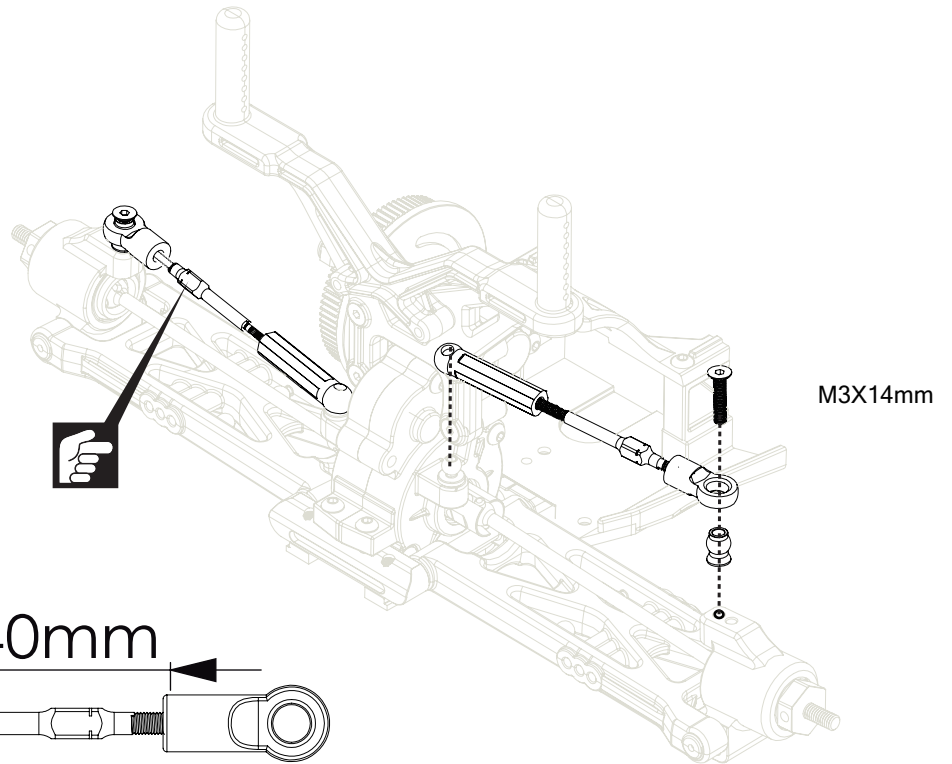
-  2  
M3X14mm Button Head Hex Screw  
80400056
-  2  
M3X12mm Flat Head Hex Screw  
82400036





### F3 Rear Suspension

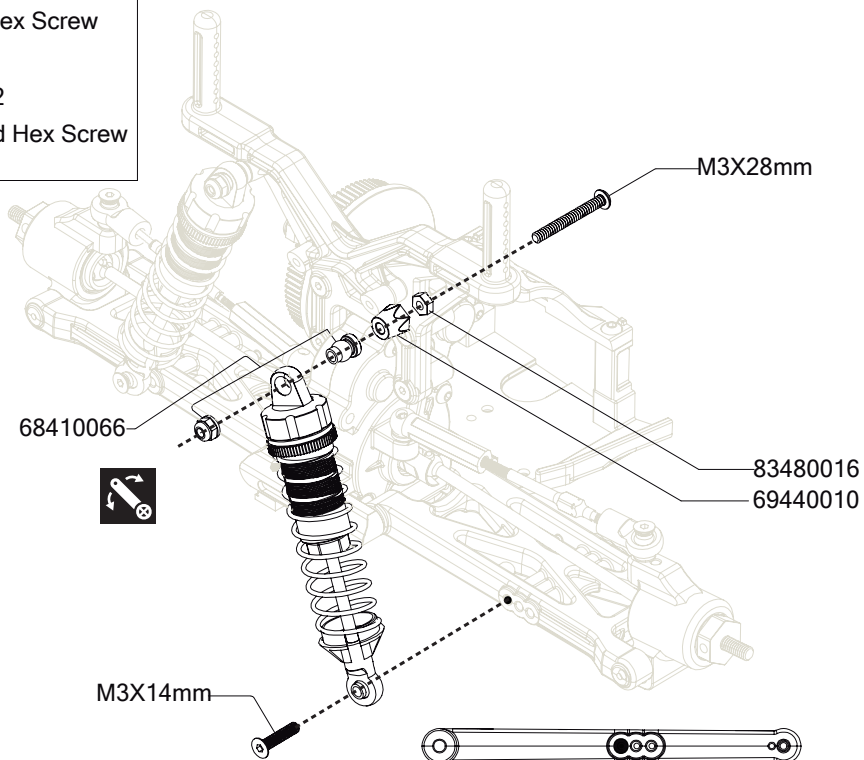
— 2  
 M3X14mm Flat Head Hex Screw  
 82400046



### F4 Rear Suspension

— 2  
 M3X14mm Flat Head Hex Screw  
 82400046

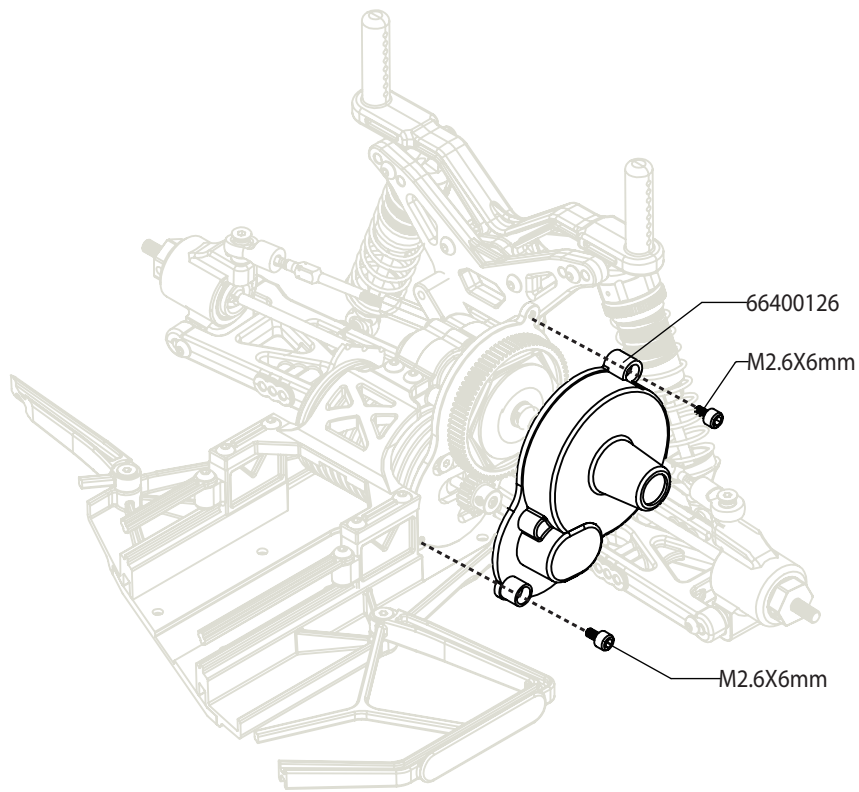
— 2  
 M3X28mm Button Head Hex Screw  
 80400126



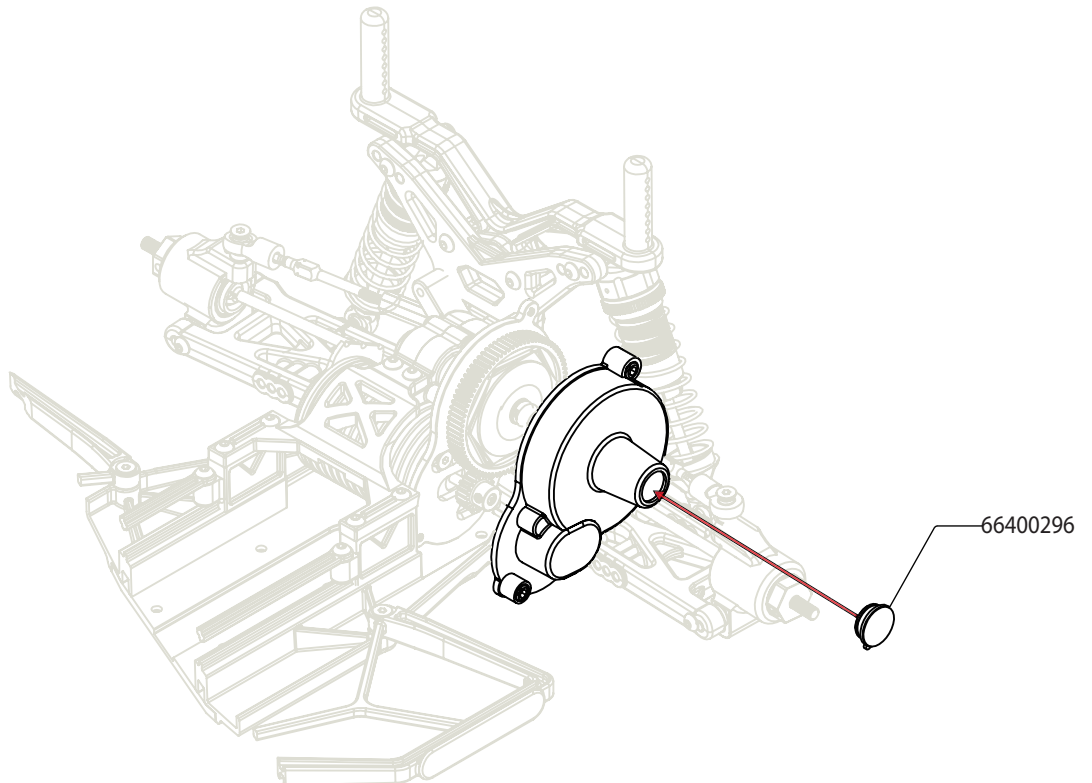


# F5 Rear Suspension

2  
2.6mm Cap Screw  
87400046






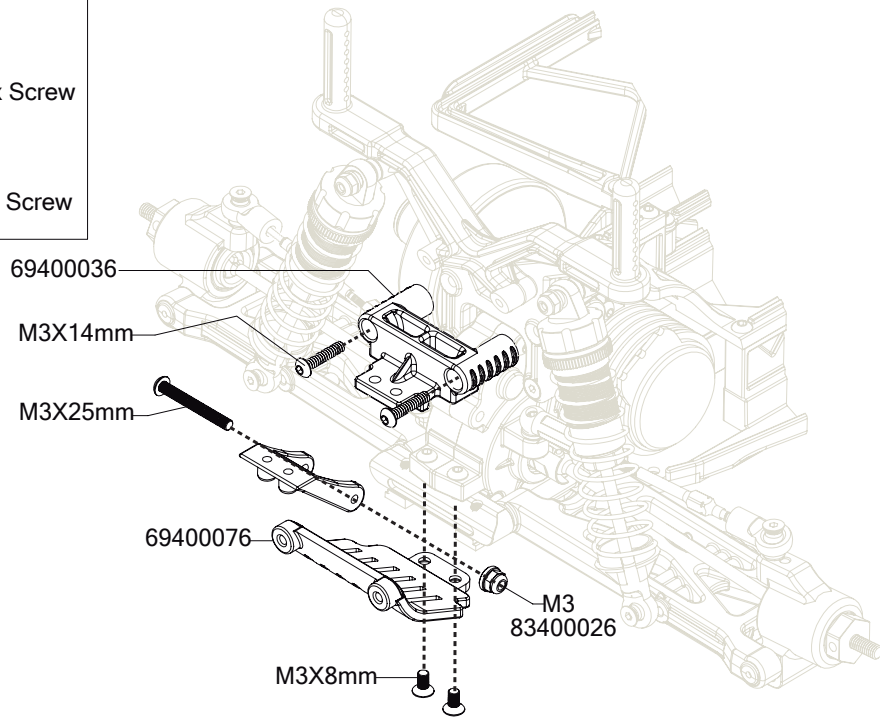
# F6 Rear Suspension








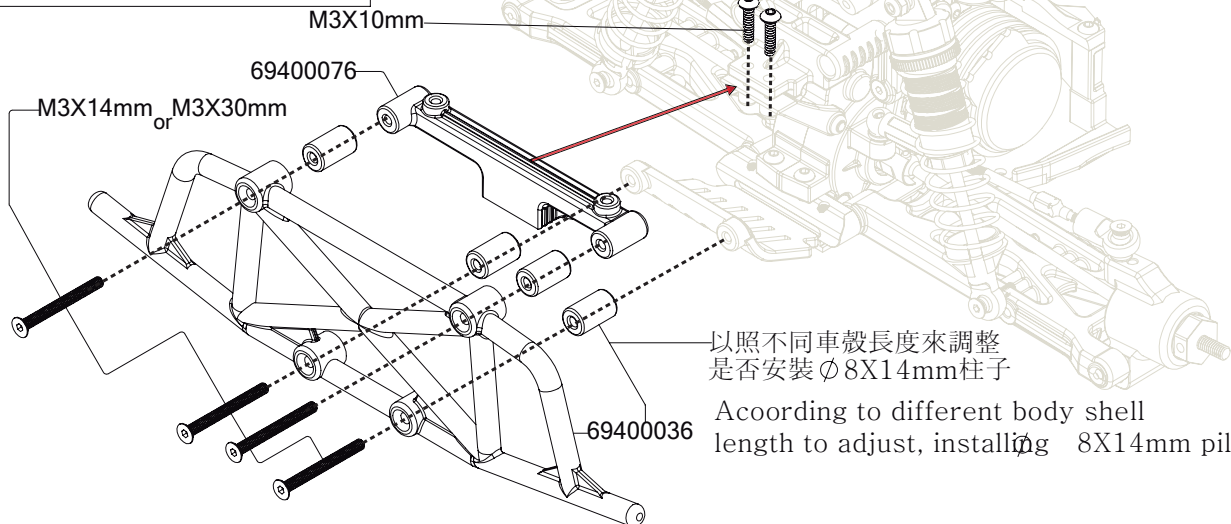
# F7 Rear Suspension

-  2  
M3X8mm Flat Head Hex Screw  
82400026
-  2  
M3X14mm Button Head Hex Screw  
80400056
-  1  
M3X25mm Button Head Hex Screw  
80400076



# F8 Rear Suspension

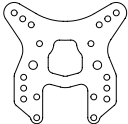
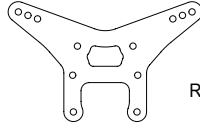


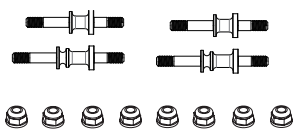
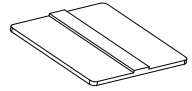
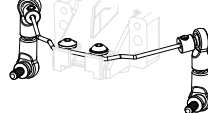
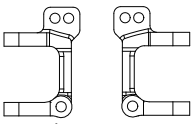
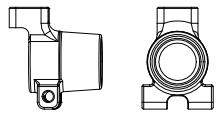
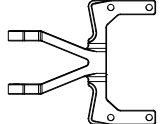
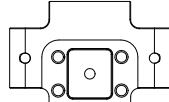
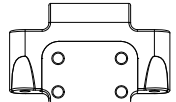
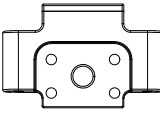
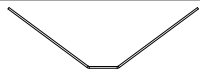

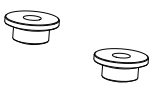
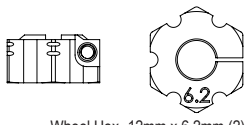
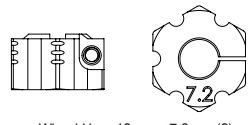
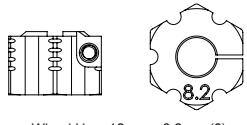
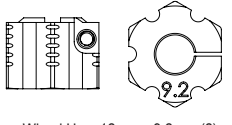

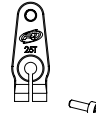


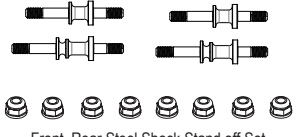
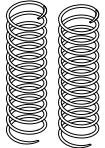
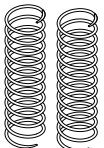
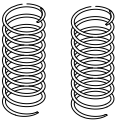
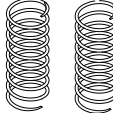
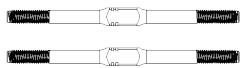
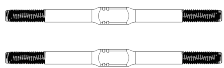

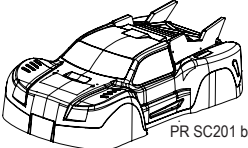
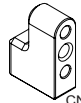

-  2  
M3X10mm Button Head Hex Screw  
80400046
-  4  
M3X14mm Flat Head Hex Screw  
82400046
-  4  
M3X30mm Flat Head Hex Screw  
82400136



以照不同車殼長度來調整  
是否安裝  $\varnothing 8 \times 14$ mm 柱子


According to different body shell  
length to adjust, installing  $\varnothing 8 \times 14$ mm pillar or not.





<p>67480016</p>  <p>Front (1) Carbon</p>	<p>66480256</p>  <p>Rear (1) Carbon</p>	<p>66480426</p>  <p>(1) Carbon</p>	<p>66400696</p>  <p>Aluminium Shock Stand off Set - Black - (4)</p>
<p>81430106</p>  <p>Front Rear Steel Shock Stand off Set</p>	<p>66480756</p>  <p>Chassis Brass Weight(23g) (1)</p>	<p>66481496</p>  <p>PR Racing SC201 VB-10 front sway bars 1.2mm/1.3mm/1.4mm (1Set) (1)</p>	<p>66480326</p>  <p>S1 Aluminium Caster Block-4 Degree (Pair)</p>
<p>67400146</p>  <p>Aluminum Rear Hub +4mm FOR S1 (CNC)</p>	<p>66480526</p>  <p>S1 V2 Rear reinforcing plate aluminum cnc (1)</p>	<p>66480476</p>  <p>0 Degree Aluminum Lower Swing Arm Mount (+5mm) (1)</p>	<p>66480536</p>  <p>7 Degree Lower Swing Arm Mount (+5mm) 66g (Brass)</p>
<p>66480456</p>  <p>(+5mm 3)lower swing arm mounts 22g (aluminum)</p>	<p>66480736</p>  <p>PR S1 Rear balance beam 1.4mm</p>	<p>66430366</p>  <p>(1) Type R Ackerman board CNC Aluminium-V3</p>	<p>00430025</p>  <p>For Type R Ackerman Steering Knuckle Bushing 3x6mm (2)</p>
<p>90440010</p>  <p>Wheel Hex -12mm x 6.2mm (2)</p>	<p>90440020</p>  <p>Wheel Hex -12mm x 7.2mm (2)</p>	<p>90440030</p>  <p>Wheel Hex -12mm x 8.2mm (2)</p>	<p>90440040</p>  <p>Wheel Hex -12mm x 9.2mm (2)</p>
<p>23440360</p>  <p>PR RACING Short Nut Driver (5.5mm) (1)</p>	<p>55430086</p>  <p>PR RACING 25T servo aluminum arm For 2wd S1/SC/ST (1)</p>	<p>66480040</p>  <p>PR Racing S1 Steel Idler Gear (28T) (2)</p>	<p>66402086</p>  <p>Aluminum Idler Gear (34T) (1)</p>
<p>81430106</p>  <p>Front Rear Steel Shock Stand off Set</p>	<p>02530126</p>  <p>1/10 Rear Shock Spring Green/Black (2) 0.073kg/mm Type R series</p>	<p>67400136</p>  <p>1/10 Rear Shock Spring (Red) (2) 0.084kg/mm S1 V3 series</p>	<p>67400126</p>  <p>1/10 Front Shock Spring (Blue)(2) 0.102kg/mm S1 V3 series</p>
<p>02530116</p>  <p>1/10 Front Shock Spring Green+Black (2) 0.090kg/mm Type R series</p>	<p>77430066</p>  <p>PR SB401R-RT 55mm Turnbuckles steel (2)</p>	<p>77430056</p>  <p>PR SB401R-RT 50mm Turnbuckles steel (2)</p>	<p>66480946</p>  <p>Camber Link Brace - Rear - (S1 V2 and V3FM) (1)</p>
<p>69440050</p>  <p>PR SC201 body+ Sticker (1)</p>	<p>66480936</p>  <p>CNC-(aluminum) 2pcs</p>  <p>(M3X8mm) 2pcs</p>		




# P R R A C I N G P R R A C I N G





**PR S1(Gear Diff) Gear Ratio Chart-Internal Gear Ratio 2.75:1**

(Gear Diff) Final Drive Ratio		Spur 				
		73	75	77	81	83
Pinion 	18				12.38	12.68
	19				11.72	12.01
	20				11.14	11.41
	21			10.08	10.61	10.87
	22			9.63	10.13	10.38
	23		8.97	9.21	9.68	9.92
	24		8.59	8.82	9.28	9.51
	25	8.03	8.25	8.47	8.91	
	26	7.72	7.93	8.14	8.57	
	27	7.44	7.64	7.84		
	28	7.17	7.37	7.56		
	29	6.92	7.11			
	30	6.69	6.88			
	31	6.48				
	32	6.27				
33	6.08					



**PR S1 (Ball Diff) Gear Ratio Chart-Internal Gear Ratio 2.6:1**

(Gear Diff) Final Drive Ratio		Spur 				
		73	75	77	81	83
Pinion 	18				11.70	11.99
	19				11.08	11.36
	20				10.53	10.79
	21			9.53	10.03	10.28
	22			9.10	9.57	9.81
	23		8.48	8.70	9.16	9.38
	24		8.13	8.34	8.78	8.99
	25	7.59	7.80	8.01	8.42	
	26	7.30	7.50	7.70	8.10	
	27	7.03	7.22	7.41		
	28	6.78	6.96	7.15		
	29	6.54	6.72			
	30	6.33	6.50			
	31	6.12				
	32	5.93				
33	5.75					

66480986	PR Racing 48P Pinion (3.17mm ID) (18T)*1pcs	66481576	PR Racing 48P Pinion (3.17mm ID) (26T)*1pcs
66480996	PR Racing 48P Pinion (3.17mm ID) (19T)*1pcs	66481586	PR Racing 48P Pinion (3.17mm ID) (27T)*1pcs
66481006	PR Racing 48P Pinion (3.17mm ID) (20T)*1pcs	66481596	PR Racing 48P Pinion (3.17mm ID) (28T)*1pcs
66400556	PR Racing 48P Pinion (3.17mm ID) (21T)*1pcs	66481606	PR Racing 48P Pinion (3.17mm ID) (29T)*1pcs
66480096	PR Racing 48P Pinion (3.17mm ID) (22T)*1pcs	66481616	PR Racing 48P Pinion (3.17mm ID) (30T)*1pcs
66480106	PR Racing 48P Pinion (3.17mm ID) (23T)*1pcs	66481626	PR Racing 48P Pinion (3.17mm ID) (31T)*1pcs
66480116	PR Racing 48P Pinion (3.17mm ID) (24T)*1pcs	66481636	PR Racing 48P Pinion (3.17mm ID) (32T)*1pcs
66481566	PR Racing 48P Pinion (3.17mm ID) (25T)*1pcs	66481646	PR Racing 48P Pinion (3.17mm ID) (33T)*1pcs

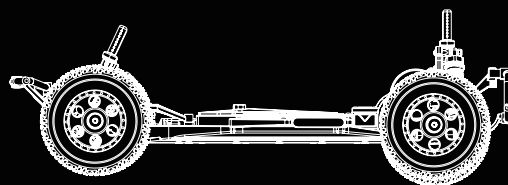
66480576	73T Spur Gear (For S1)*1pcs
66480586	75T Spur Gear (For S1)*1pcs
66480596	77T Spur Gear (For S1)*1pcs
71400116	81T Spur Gear (For S1)*1pcs
66480606	83T Spur Gear (For S1)*1pcs

# P R R A C I N G P R R A C I N G

# PR SC201

PROFESSIONAL 2WD 1/10 SCALE EP TRUGGY KIT

[www.prc.com](http://www.prc.com)



EMAIL / [info@prengine.com.tw](mailto:info@prengine.com.tw)