



PRB10R

PRB10R 1/10 Electric 2WD Off Road Buggy PRO Kit (Gear Diff Version)

ITEM NO:75400057

BUGGY KIT EP 1-10 2WD FM PRO 2025



Specifications

- Length: 411mm
- Width: 248mm
- Height: 145mm
- Wheelbase: 280mm
- Front track: 248mm
- Rear track: 248mm
- Weight: 1490-1520g
- 12.8mm big-bore oil-filled shocks
- 3 Gear box with 3-gear transmission
- Metal gear differential
- Dual pad slipper clutch
- Complete sealed ball bearing set
- 12mm hex wheels
- Metric socket screw (Hex Screws)

Download Manual



Items Required To Complete

- Metric 1.5mm, 2.0mm hex tools
- Metric 5.5mm, 7.0mm nut driver
- 2 Channel surface radio system
- 1/10 ESC, motor & pinion gear
- High Speed Servo
- 2S LiPo shorty battery & compatible Lipo charger
- Polycarbonate paint for bodies
- 1/10 Buggy tires, inserts and CA glue
- Motor Fan

● BEFORE INSTALLATION	01-02
● BAG A	03-06
Chassis Guard Installation	
Steering Bellcranks	
Steering Servo	
● BAG B	06-11
Front Suspension	
Front Spindle (L&R) Side	
Front Shock Tower	
Front Upper Turnbuckle Assembly	
Turnbuckle Assembly-Steering Rod	
Rear Hub & CVA	
Rear Hub (L&R)	
Rear Suspension	
Chassis Reinforcement Rib	
● BAG C	12-18
Gear Differential	
Transmission Assembly	
Anti-Roll Bar	
Slipper & Spur Gear	
Rear Shock Tower	
Motor	
Rear Gear Box	
Anti-Roll bar Balls	
Rear Upper Rod Turnbuckle Assembly	
● BAG D	19-28
Front & Rear Shock Assembly	
Front Suspension	
Rear Suspension	
Front Shock Tower Cover	
Battery Plate	
ESC Weight	
Body Support Column	
Rear Wing& Wheels	
Body	
Velcro Tape	
● SETUP SHEET	29-29
● OPTIONAL PRTS	30

BEFORE INSTALLATION

- 1 Read through the instruction manual before installation in order to have an overview of what to do.
- 2 Check for any missing bags or defective parts, if there are any, please contact our local dealer or our PR Distributor.
- 3 Symbols used throughout the instruction manual, comprises of:



Part bags used.



Assemble as many times as specified (here: twice).



Tighten securely.



Note the direction.



True-to-scale diagram.



Do not over tighten.



Must be purchased separately.



Apply threadlocker (screw cement)



Ensure smooth non-binding movement while assembling.



Assemble in the specified order.



Apply grease.



Cut off shaded portion.



Assemble left and right sides the same way.



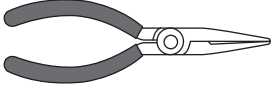
Apply oil.

- 4 This kit contains screws and hardware in different metric sizes and shapes. Before using them, check the screws on the true-to-scale diagrams on the left side in each assembly step. Some screw are extras.

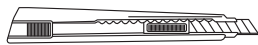
TOOLS REQUIRED

CAUTION: Handle tools carefully!

- Needle Nose Pliers



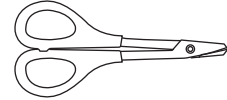
- Sharp Hobby Knife



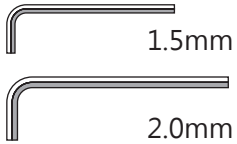
- Wire Cutters



- Curved Lexan Scissors



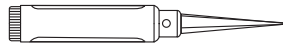
- Hex Wrench



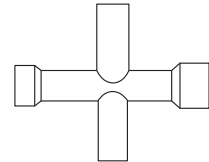
- Screw Cement



- SP Knife Edge Reamer



- Cross Wrench
5.0mm-5.5mm-7.0mm

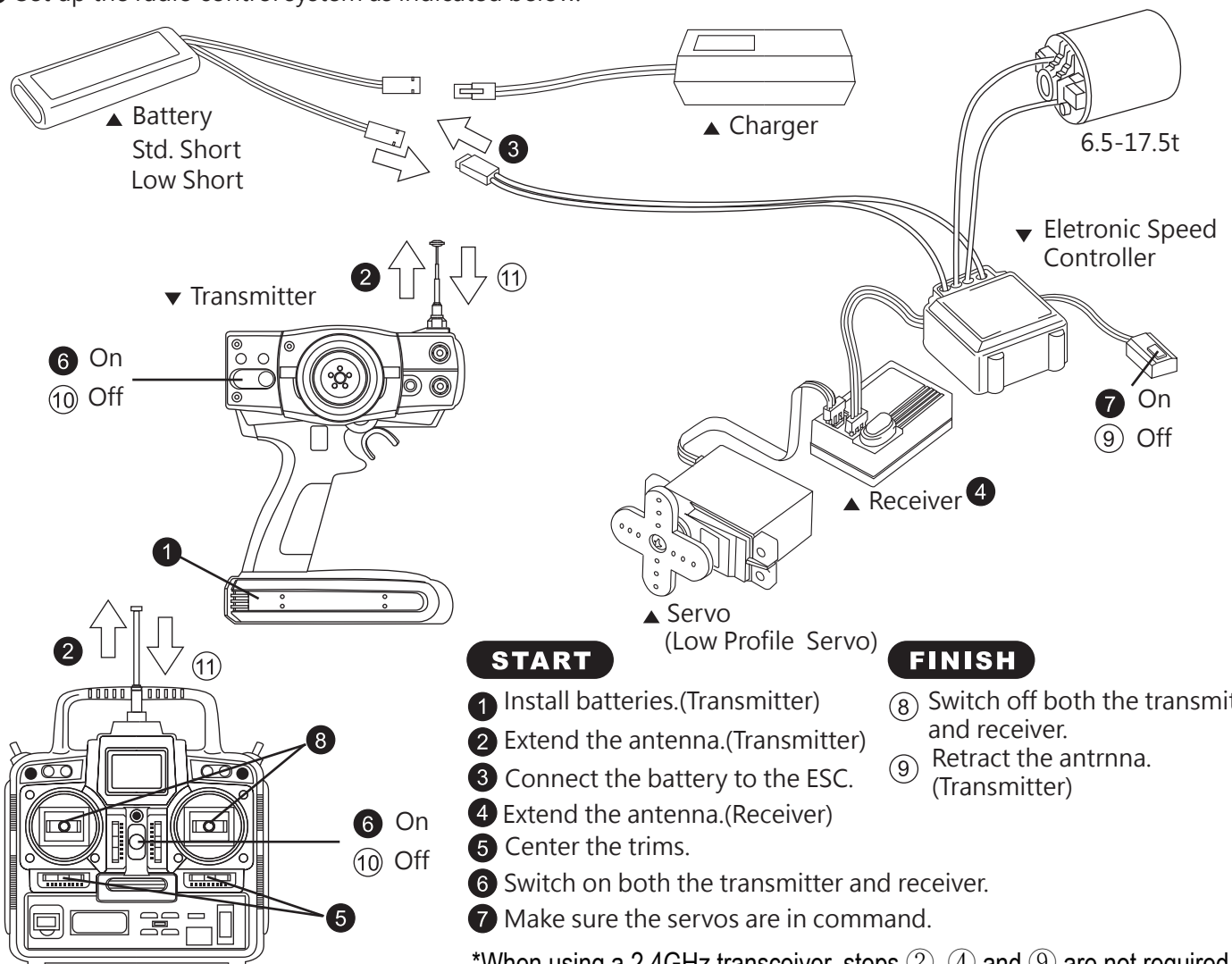


HEALTH WARNING

This model is a high performance radio controlled racing product that is designed for use on R/C car race tracks. If it is misused it could cause injury to the operator or others. Many of the items in this kit are small enough to be accidentally swallowed; therefore, it is not suitable for young children. All items, inclusive of liquids, contained in this kit are not intended for human consumption. Rotating parts of the car may cause injury if not handled with care.

RADIO PREPARATION

- A new battery must be charged before it is used. Refer to the charger instruction manual for charging.
- Set up the radio control system as indicated below.



A1 Chassis Guard Installation

BAG
A

2
82400017 M3x5mm

4
82400016 M3x6mm

8
82400026 M3x8mm

6
80400026 M3x6mm

2
82400046 M3x14mm

1
71400799 Alu

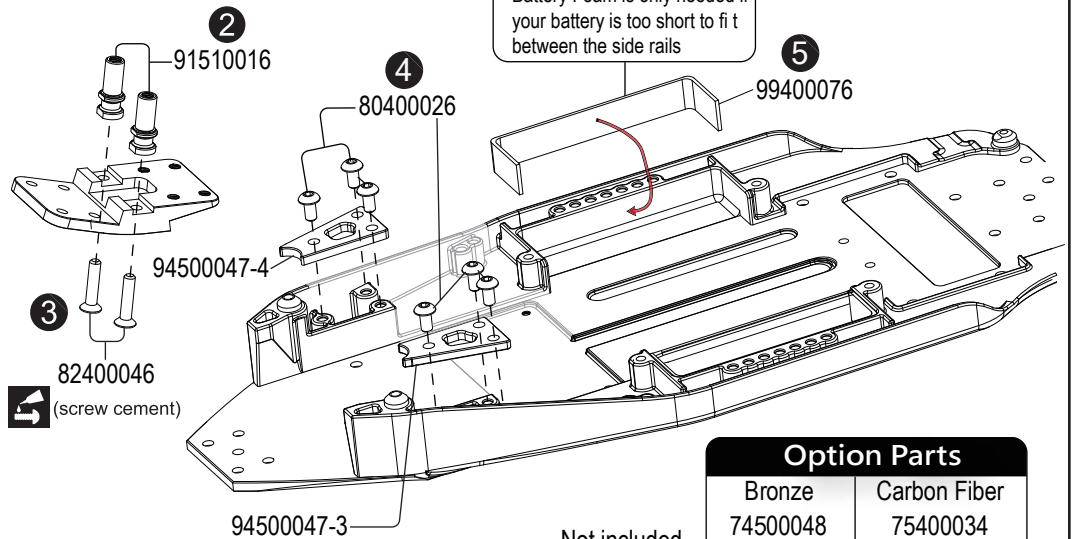
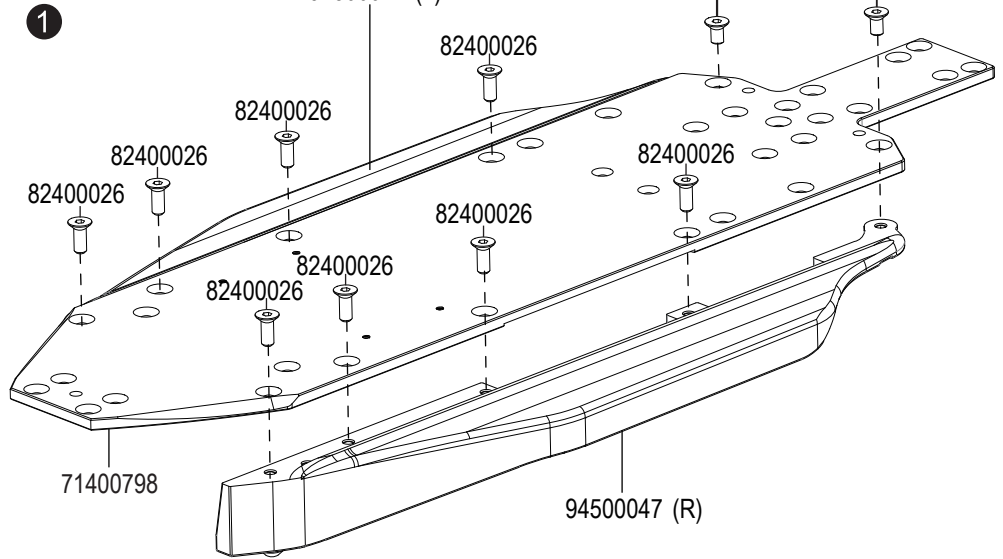
2
91510016 Alu

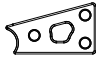
2
94500047 3-4

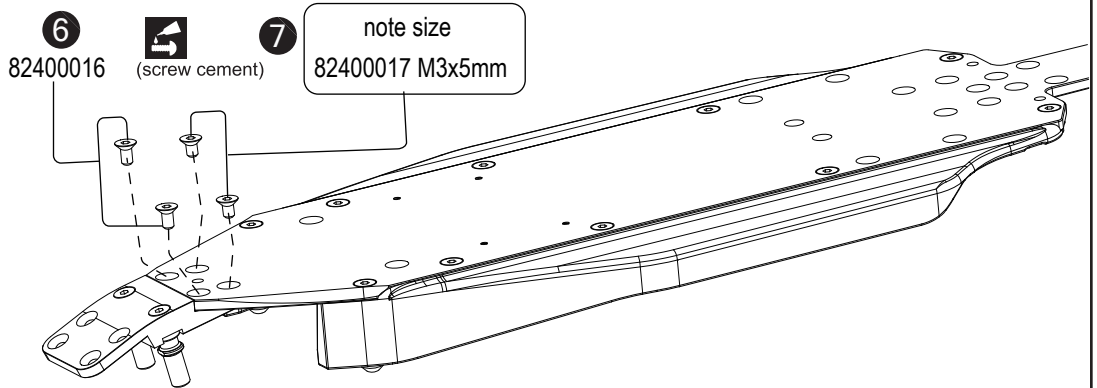
4
99400076 1x9x110mm
3x9x110mm-Foam Set

1
71400798 (3mm)

1
94500047



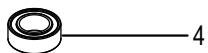
Option Parts	
Bronze	Carbon Fiber
74500048	75400034
Not included	
 2PCS	



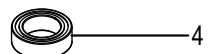


BAG
A

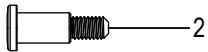
A2 Steering Bellcranks



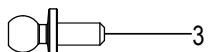
4
89430041
4x7x2.5mm ZZ Ball Bearing



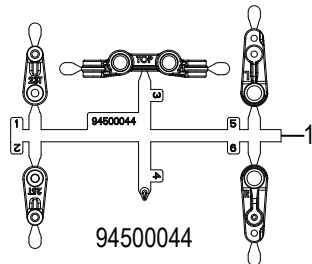
4
66400756
5x8x2.5mm ZZ Ball Bearing



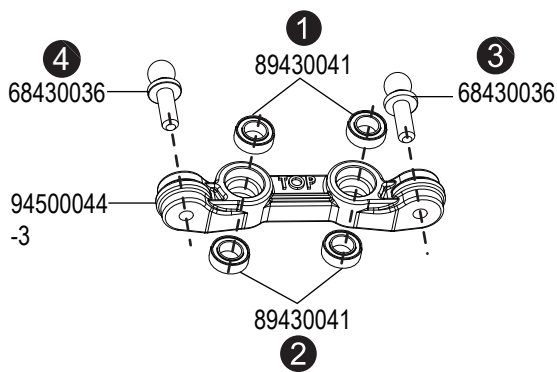
2
91510017 4x7.1mm



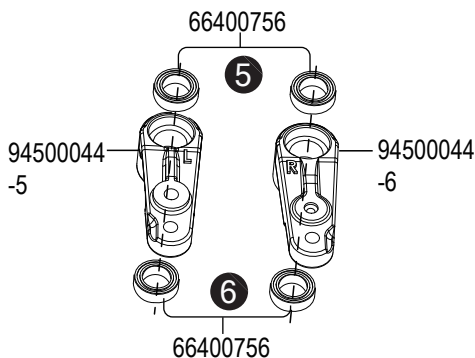
3
68430036 4.8mmx6mm



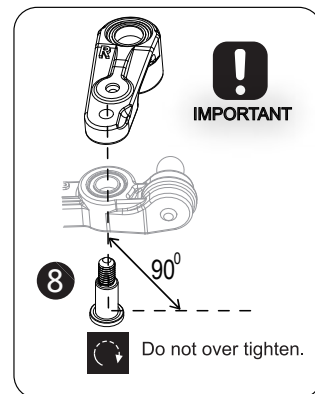
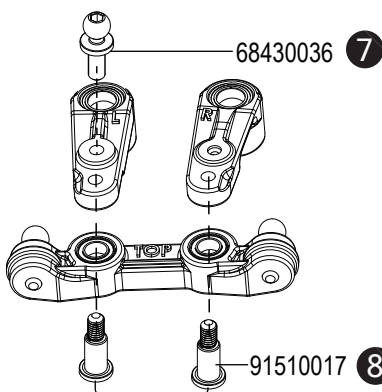
Front



Front



Front

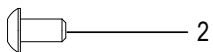


!
IMPORTANT



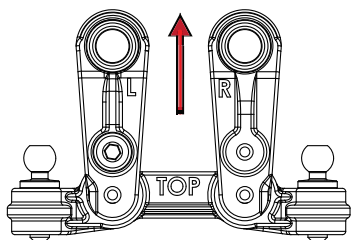
A3 Steering Bellcranks

BAG
A



2
80400026
M3x6mm

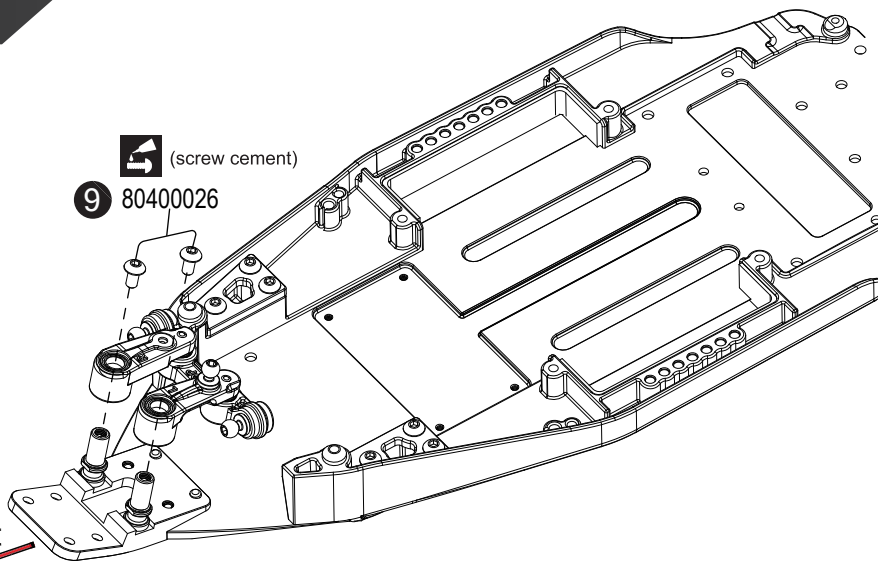
Front



! (screw cement)

9 80400026

Front



A4 Steering Servo

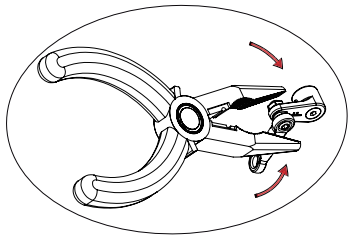
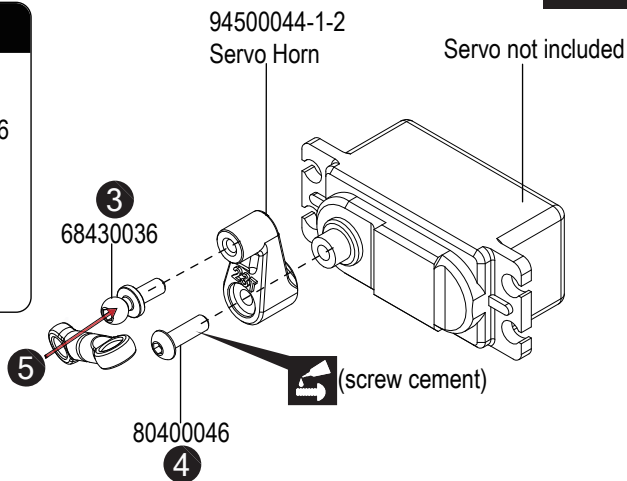
BAG A



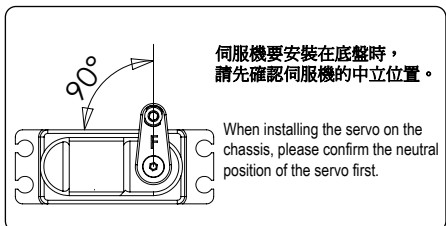
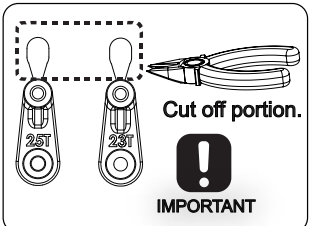
- 1
87400096
M3x8mm Set Screw
- 1
68430036
M4.8mmx6mm Ball Studs
- 1
80400046 M3x10mm
- 1
94500044-1-2
Servo Horn
- 2
77430126
4.8mm

Servo Rod

- 1
4mm
87400096
77430126
4.8mm
- 2
27.5-27.6mm



Std. Profile Servo



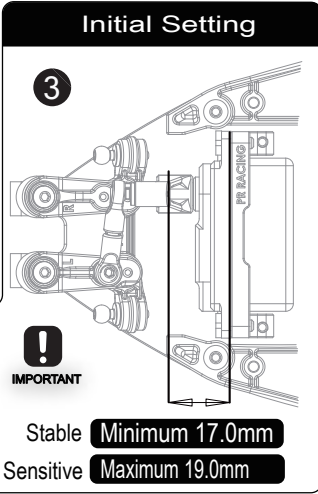
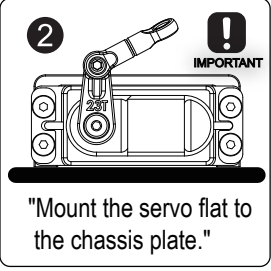
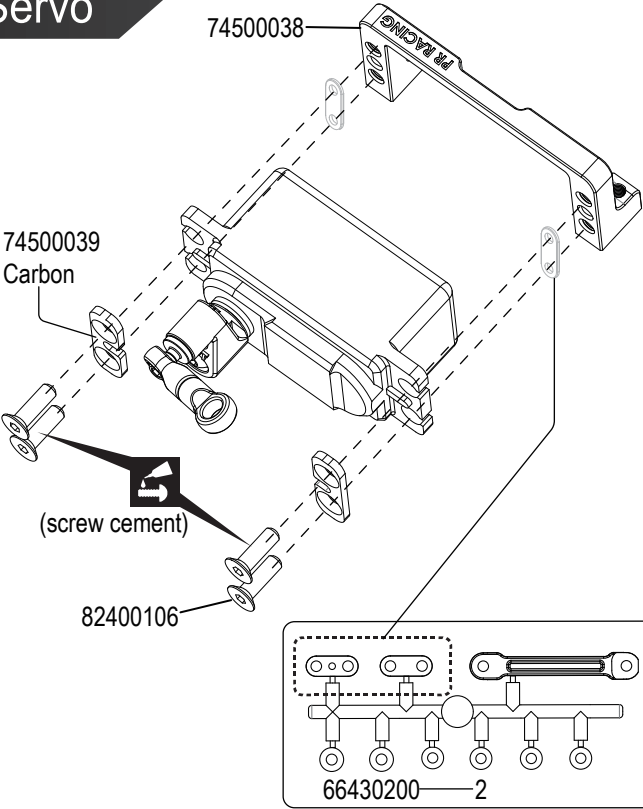
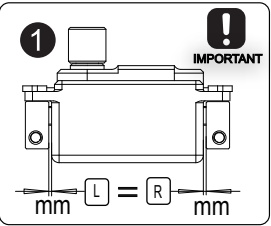
Suggestion

Modify	Stock
 Std. Profile Servo	 Low Profile Servo

A5 Steering Servo

BAG A

- 4
82400106
M3x10mm
- 2
74500039 Carbon
- 1
PR RACING
74500038 Alu



Part bags used.



not included



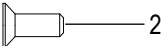
Apply threadlocker
(screw cement)



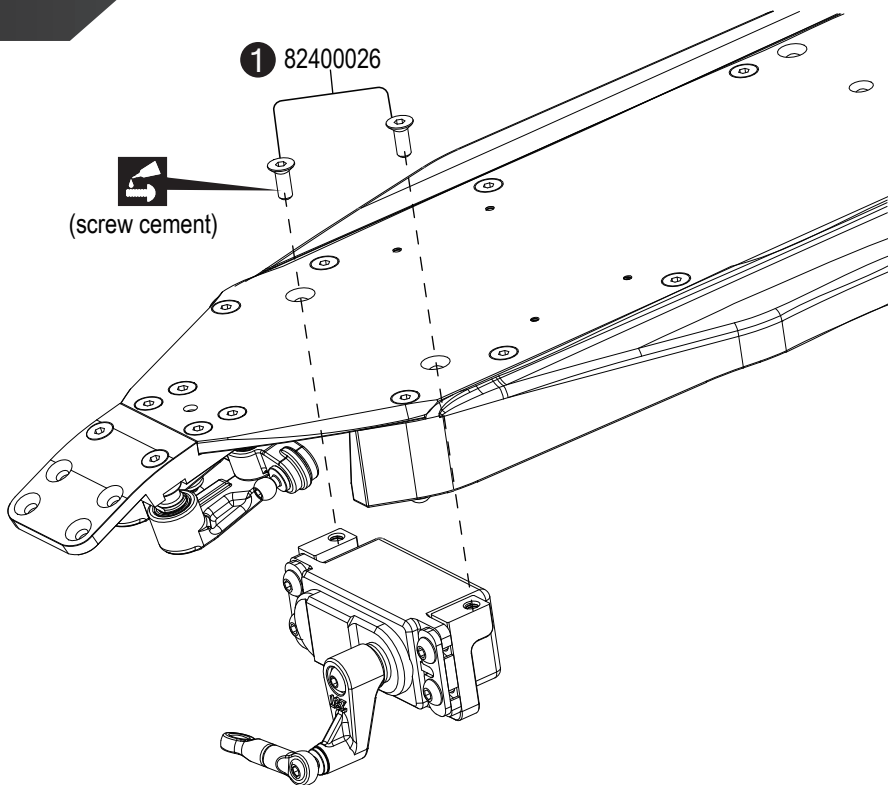
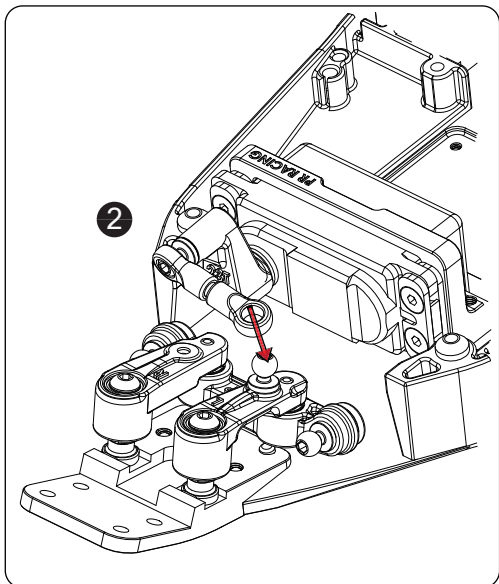
Assemble in the
specified order.

A6 Steering Servo

BAG
A

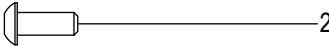


82400026
M3x8mm

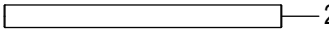


B1 Front Suspension

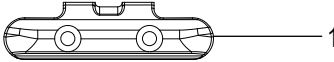
BAG
B



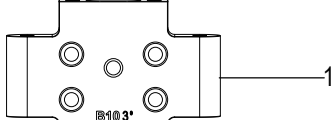
80400036 M3x8mm




79400036 3x36.8mm Pin



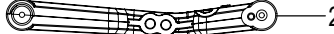
94500046-3



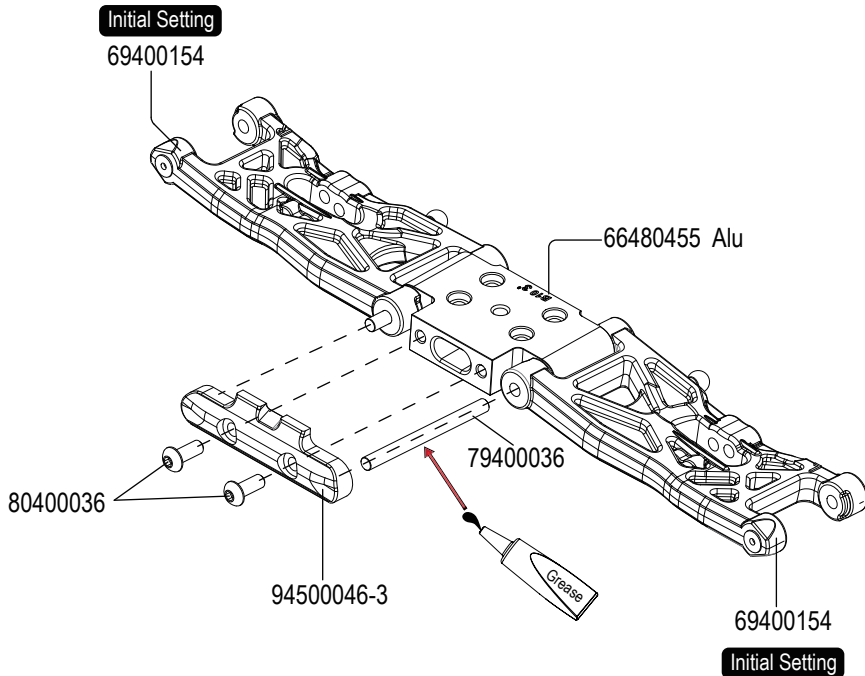
66480455 Alu




69400153



69400154 **Initial Setting**
Front Lower gull Wishbone
(medium hardness)

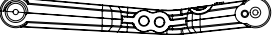


Responsive



69400153
Front Wishbone
(medium hardness)

Stable

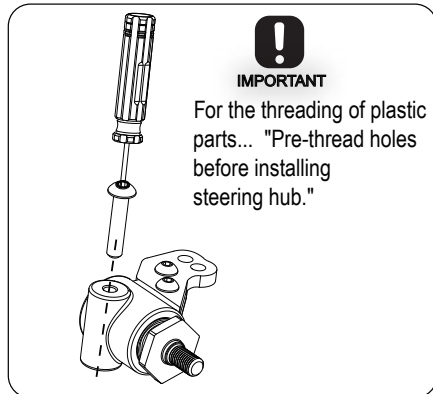
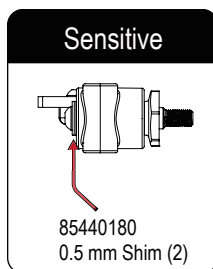
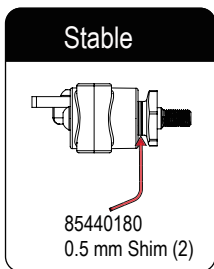


69400154
Front Lower gull Wishbone
(medium hardness)

B2 Front Spindle (L&R) Side

BAG
B

Corner Speed



- 4
80400186 M2.5x6mm
- 2
80400036 M3x8mm
- 2
68430036 M4.8mmx6mm

- 2
68430046 M4.8x8mm

- 4
80400056 M3x14mm

- 2
83400106-M3 Lock Nut

- 2
77500216 (Silver) 0.8mm

- 2
77500267 (Brown) 2.3mm

- 4
89430010
5x10x4mm Ball Bearing

- 4
85440180 Shim 5x8x0.5mm

- 2
85440310 Shim 3x6x1mm Alu

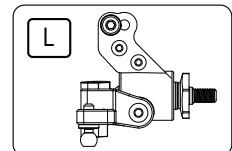
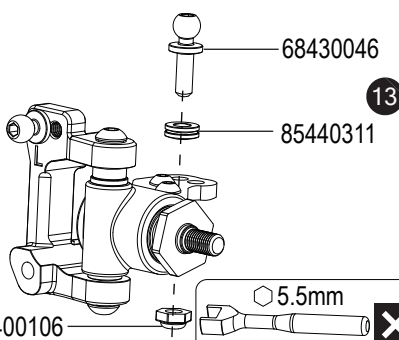
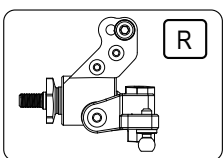
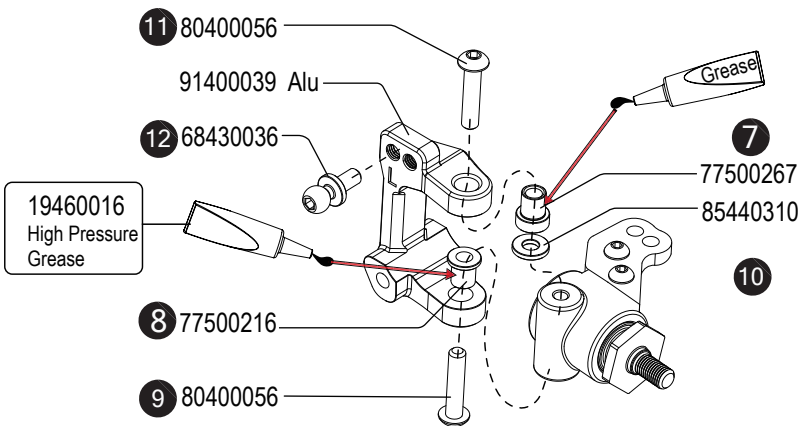
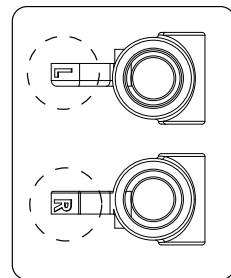
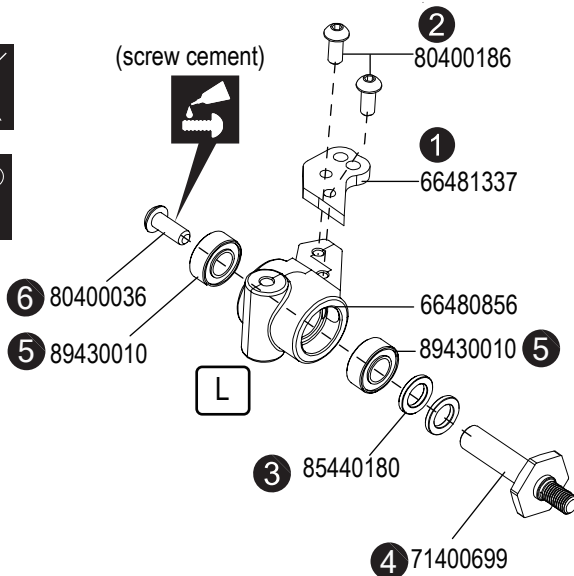
- 2
85440311 Shim 3x6x1mm

- 2
66481337 Carbon

- 2
71400699 Alu

- 1pr
66480856

- 1pr
91400039 Alu



Part bags used.



Assemble in the specified order.



Assemble left and right sides the same way.



Apply threadlocker (screw cement)


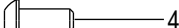
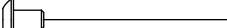
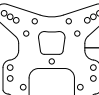
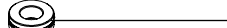
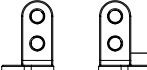
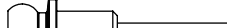


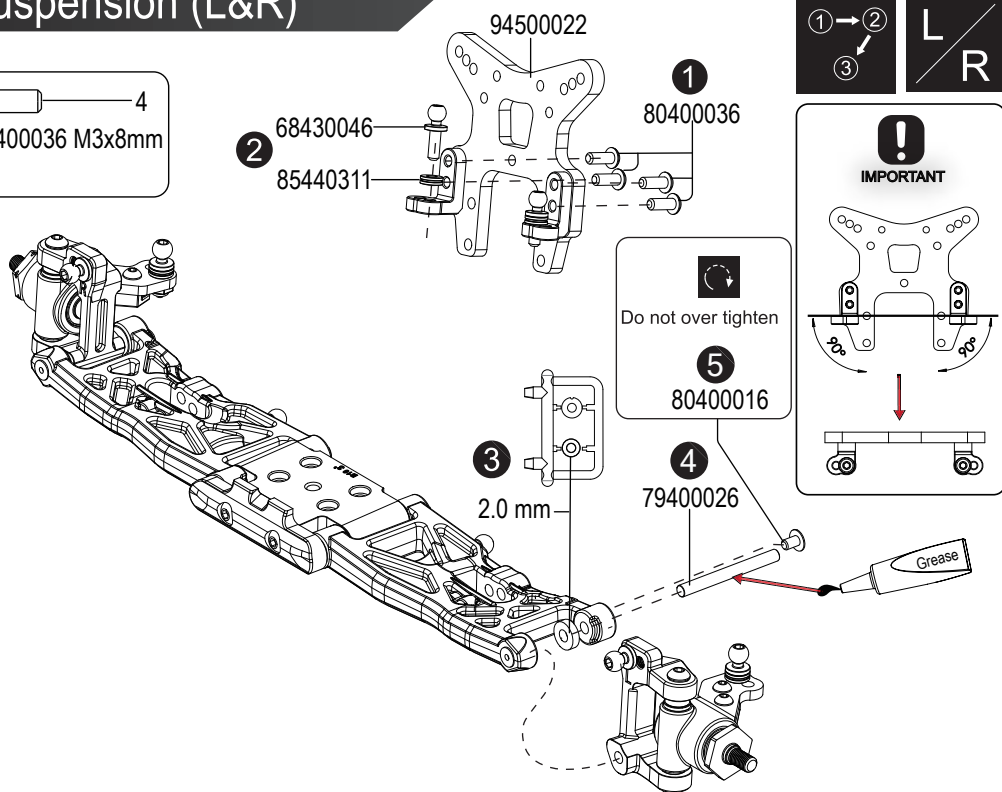
Apply oil.



BAG
B



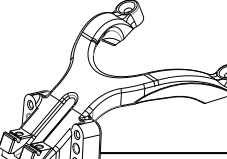
B3 Front Suspension (L&R)

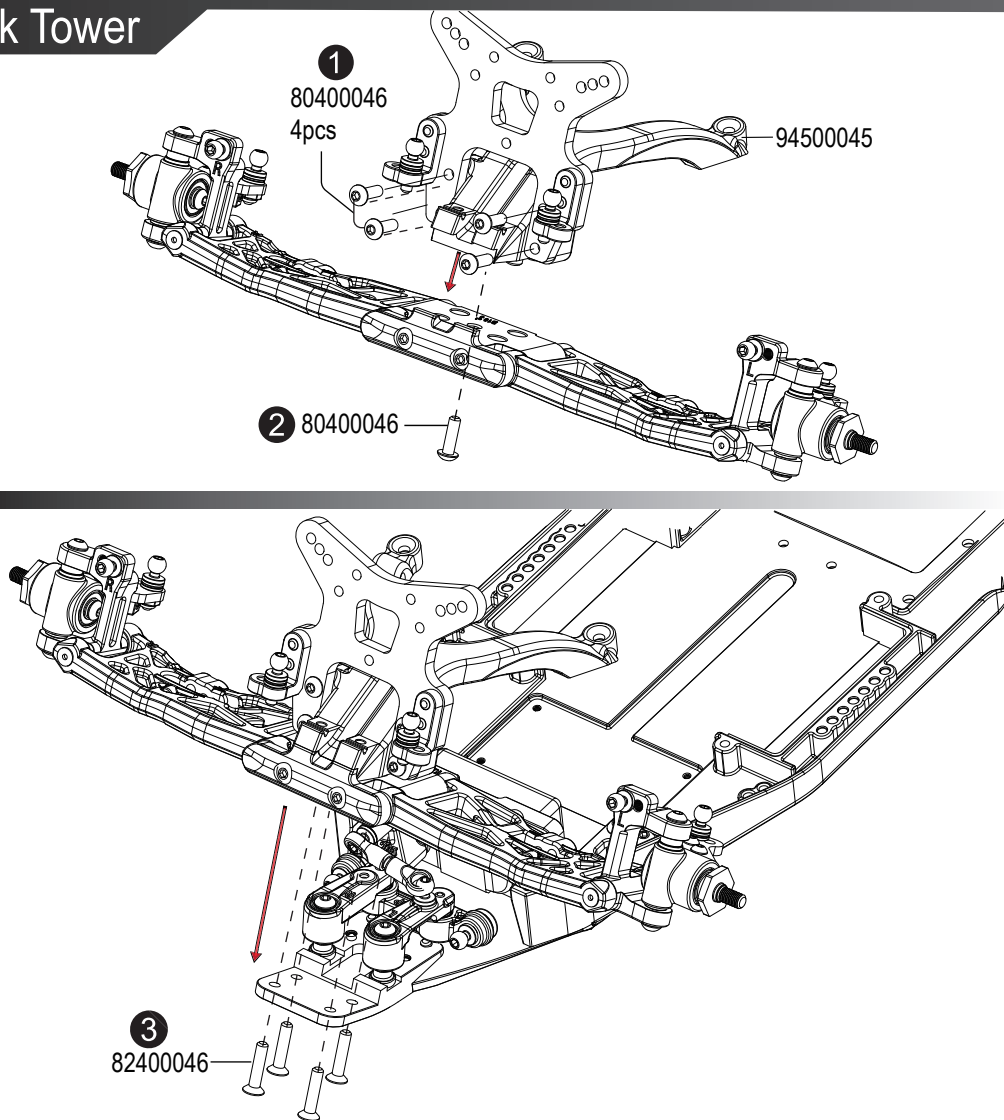
-  2
79400026
3x29.80mm
-  4
80400036 M3x8mm
-  2
80400016
M2.5x4mm(5.5mm)
-  1
94500022
-  2
85440311 3x6x2mm
Silver Alu Spacer
-  1pr
66481176 Alu
-  2
68430046 M4.8x8mm



BAG
B

B4 Front Shock Tower


-  4
82400046 M3x14mm
-  5
80400046 M3x10mm
-  1
94500045

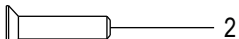


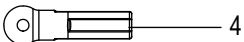
B5 Front Upper Turnbuckle Assembly

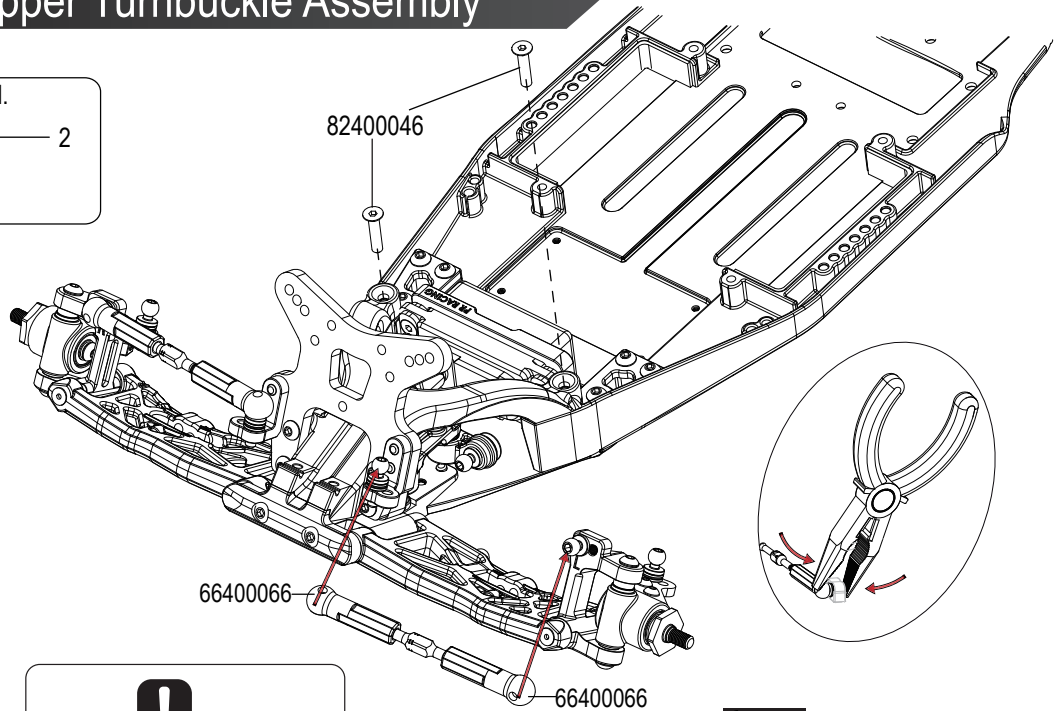
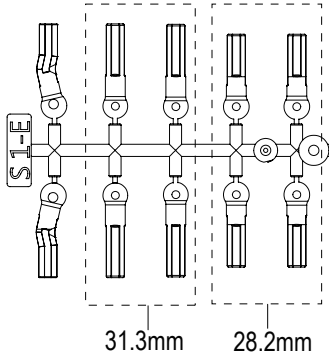
BAG
B

One side is reverse threaded.

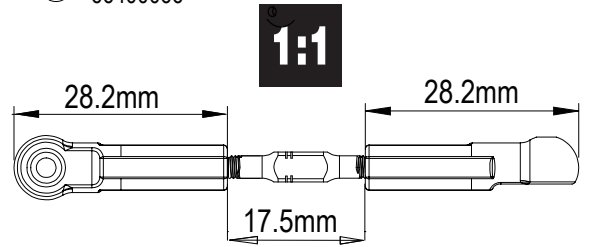
 2
66400346 36mm Turnbuckle

 2
82400046 M3x14mm

 4
66400066
28.2mm Rod End



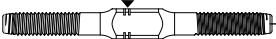
!
IMPORTANT
Orient the notch to the left throughout the car. It indicates which end has the left hand threads!

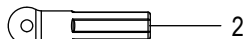



BAG
B

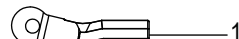
B6 Turnbuckle Assembly-Steering Rod

One side is reverse threaded.

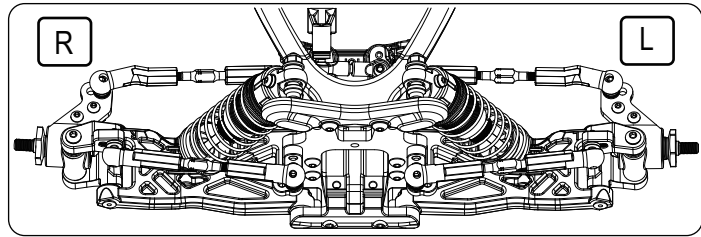
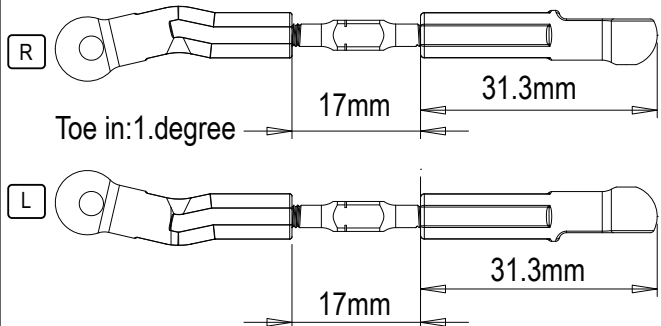
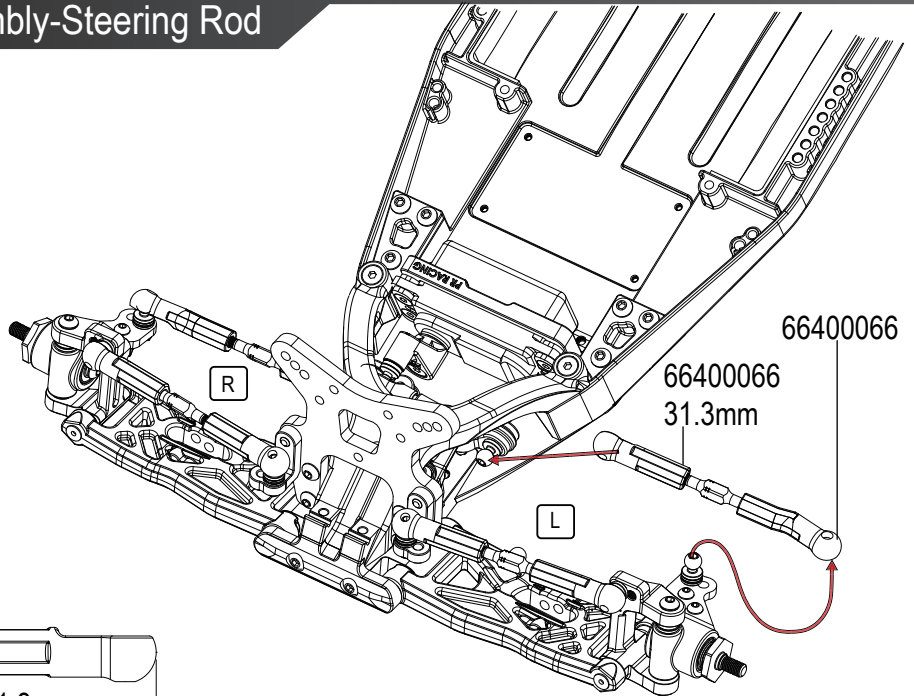
 2
66400346 36mm Turnbuckle

 2
66400066
31.3mm Rod End

 1
66400066 R

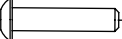
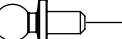
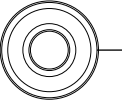


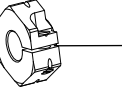
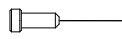

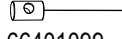
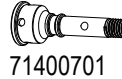
 1
66400066 L

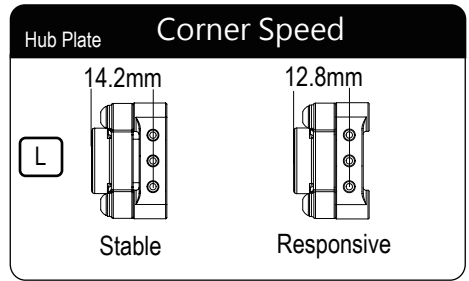
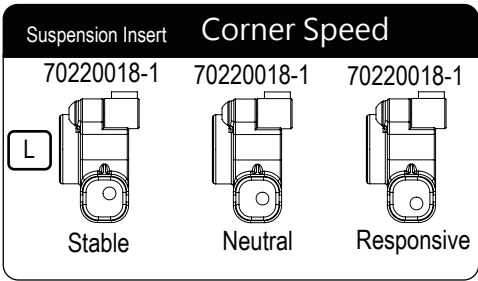
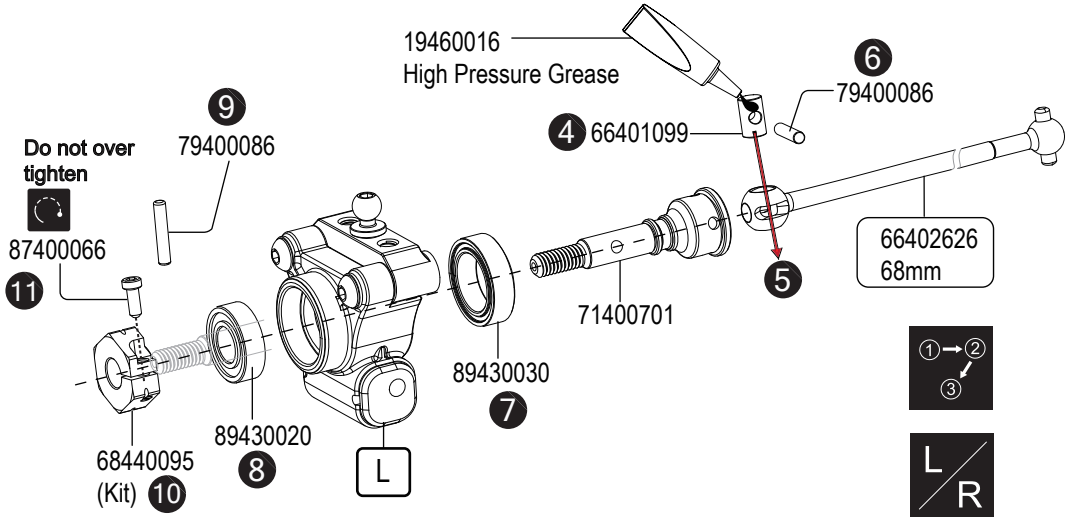
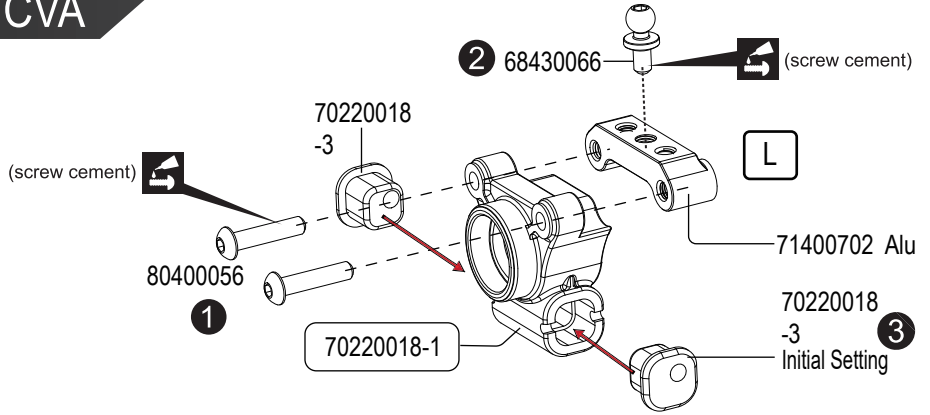
L/R
1:1



B7 Rear Hub & CVA

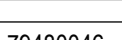
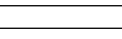


BAG
B

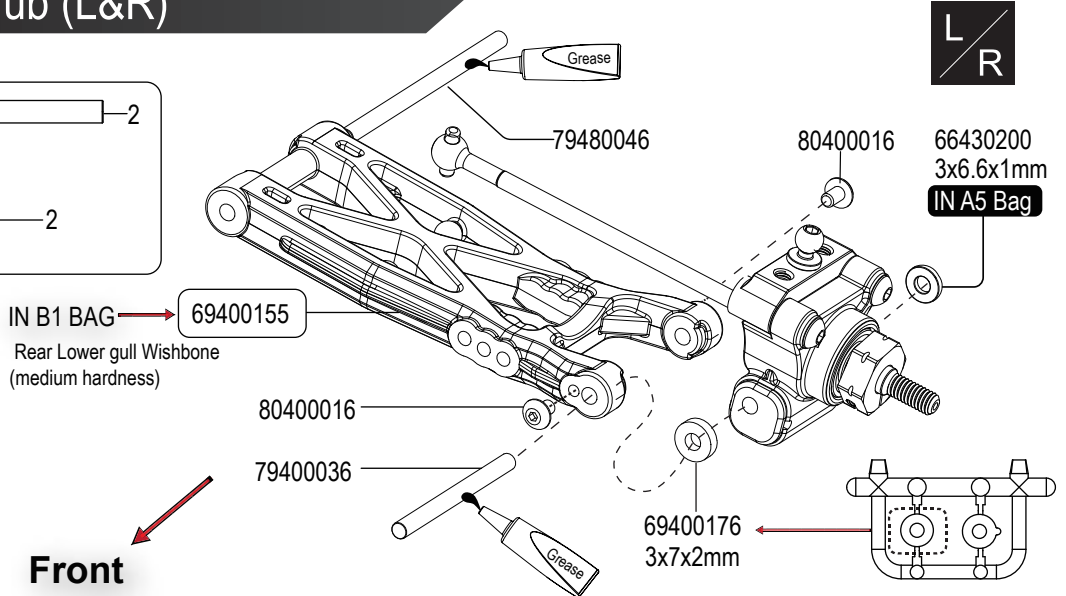
-  4
80400056 M3x14mm
-  2
68430066 M4.8x5mm
-  2
89430020
5x13x4mm Ball Bearing
-  2
89430030
10x15x4mm Ball Bearing
-  4
79400086 2x9.8mm
-  2
68440095 (Kit)
-  2
87400066 M2x5mm
-  2
71400702 Alu
-  2
66401099
-  2
71400701



B8 Rear Hub (L&R)

BAG
B

-  2
79480046
3x50.8mm
-  2
79400036
3x36.8mm
-  4
80400016
M2.5x4mm(5.5mm)
-  1
66430200 IN A5 Bag



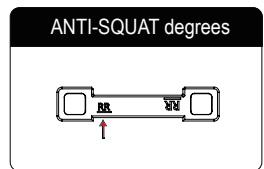
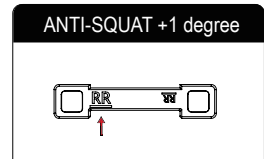
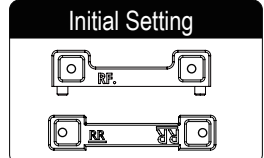
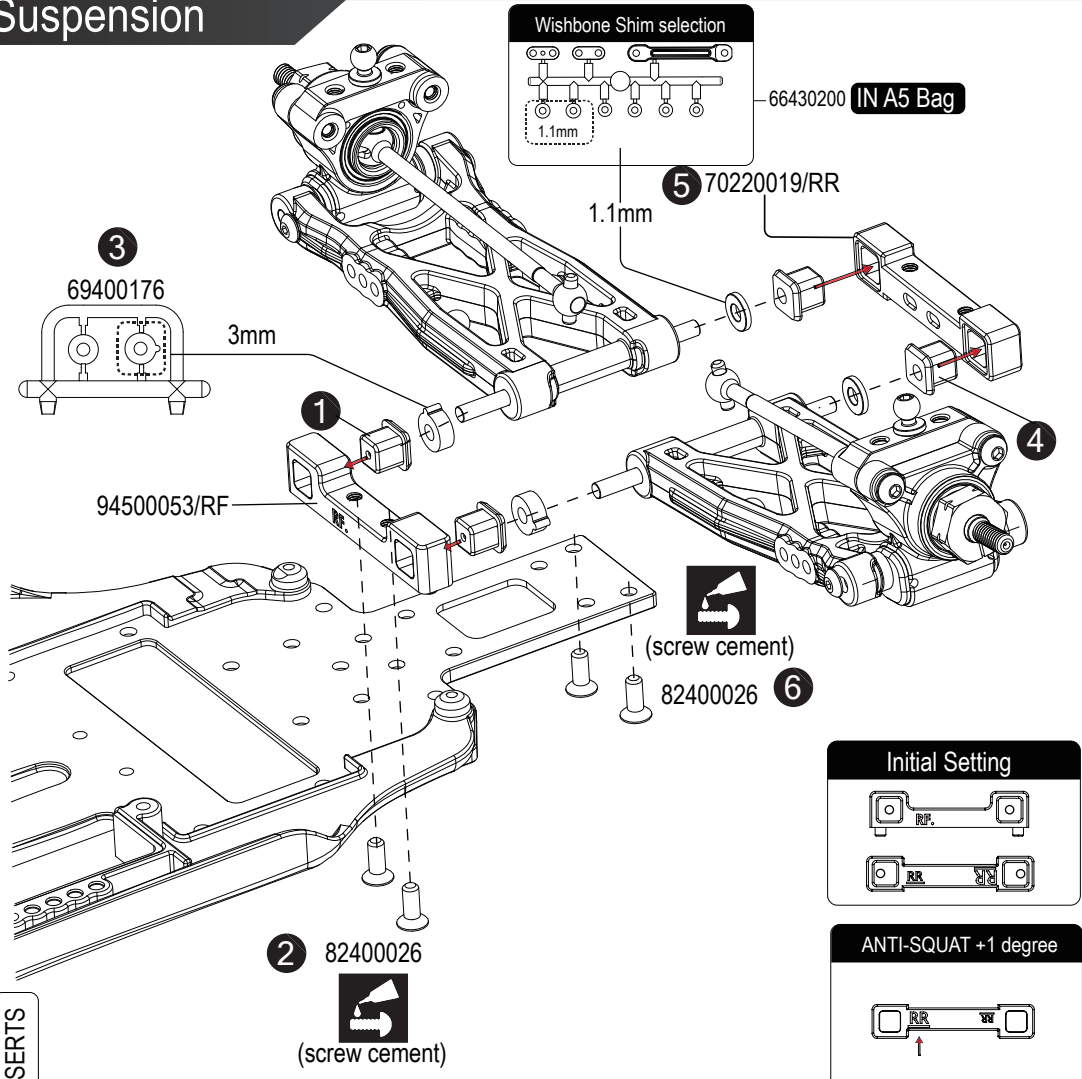
B9 Rear Suspension

BAG B

- 4
82400026 M3x8mm
- 1
94500053/RF
- 1
70220019/RR
- 77500156

RF	RR	TOE	SQUAT
○	○	+2.5	+1.58
○	○	+2.5	+2.85
○	○	+2.5	+3.83
○	○	+2.5	+0.15
○	○	+2.5	+1.58
○	○	+2.5	+2.85
○	○	+2.5	-1.83
○	○	+2.5	-1.85
○	○	+2.5	+1.58
○	○	+2.50	+1.58
○	○	+1.35	+1.58
○	○	+1.80	+1.58
○	○	+3.60	+1.58
○	○	+2.56	+1.58
○	○	+1.35	+1.58
○	○	+4.81	+1.58
○	○	+3.66	+1.58
○	○	+2.50	+1.58
○	○	+4.90	+3.83

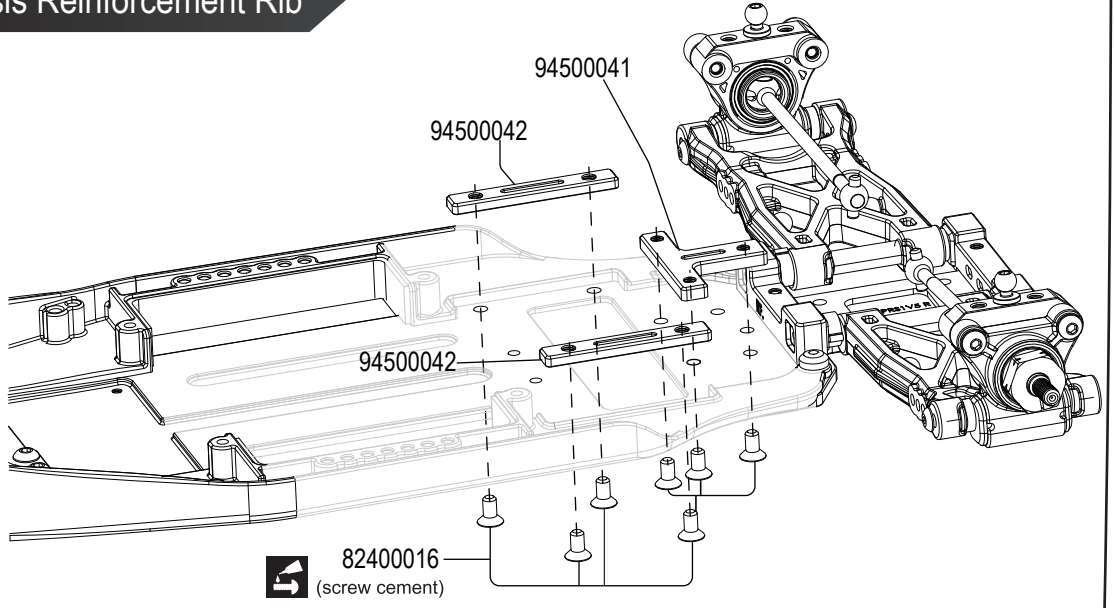
REAR HANGER INSERTS



BAG B

B10 Chassis Reinforcement Rib

- 7
82400016 M3x6mm
- 2
94500042 Alu
- 1
94500041 Alu



Part bags used.

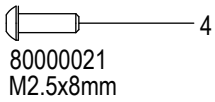
Apply threadlocker (screw cement)

Assemble in the specified order.

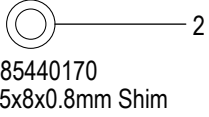


BAG
C

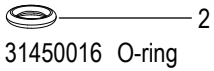
C1 Gear Differential



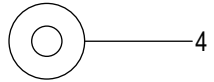
80000021
M2.5x8mm



85440170
5x8x0.8mm Shim



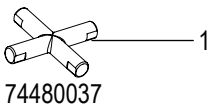
31450016 O-ring



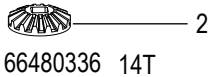
85440160
4x10x0.15mm Shim



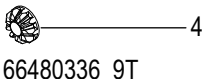
85400016 3.5mm
E-Clip



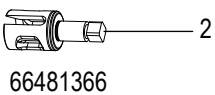
74480037



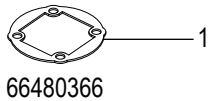
66480336 14T



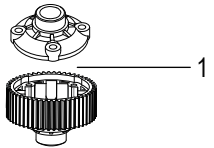
66480336 9T



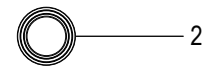
66481366



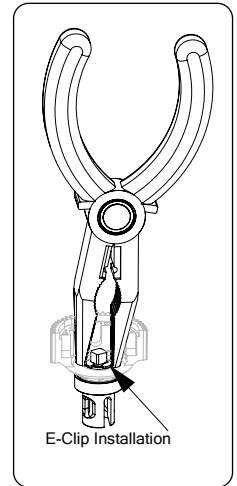
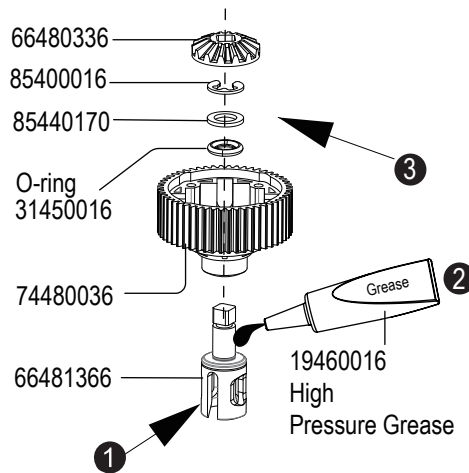
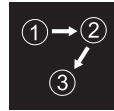
66480366



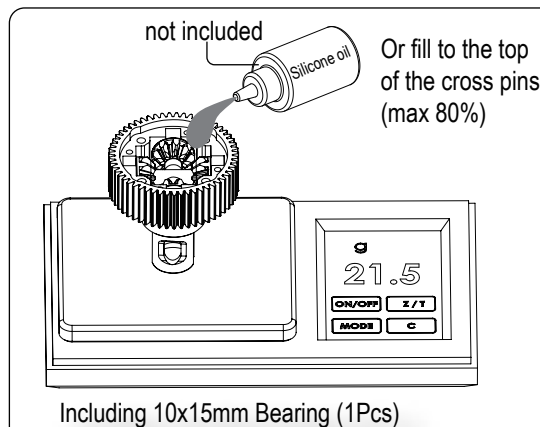
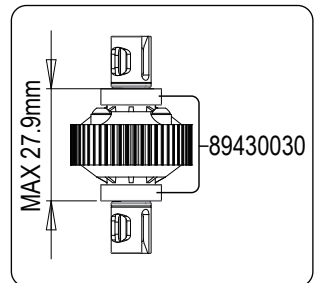
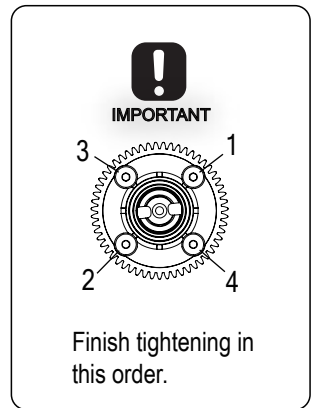
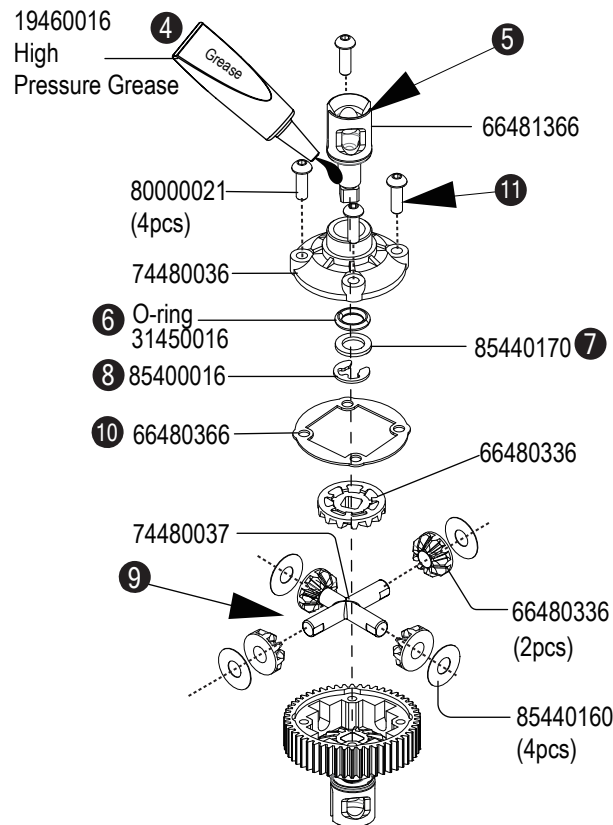
74480036



89430030
10x15x4mm Ball Bearing



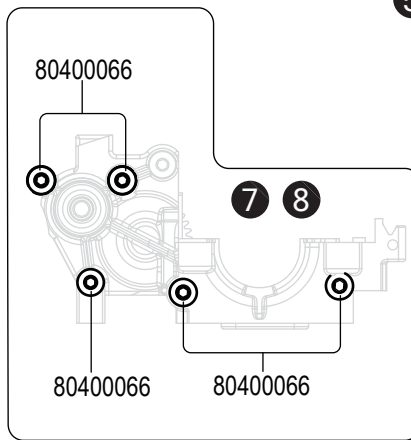
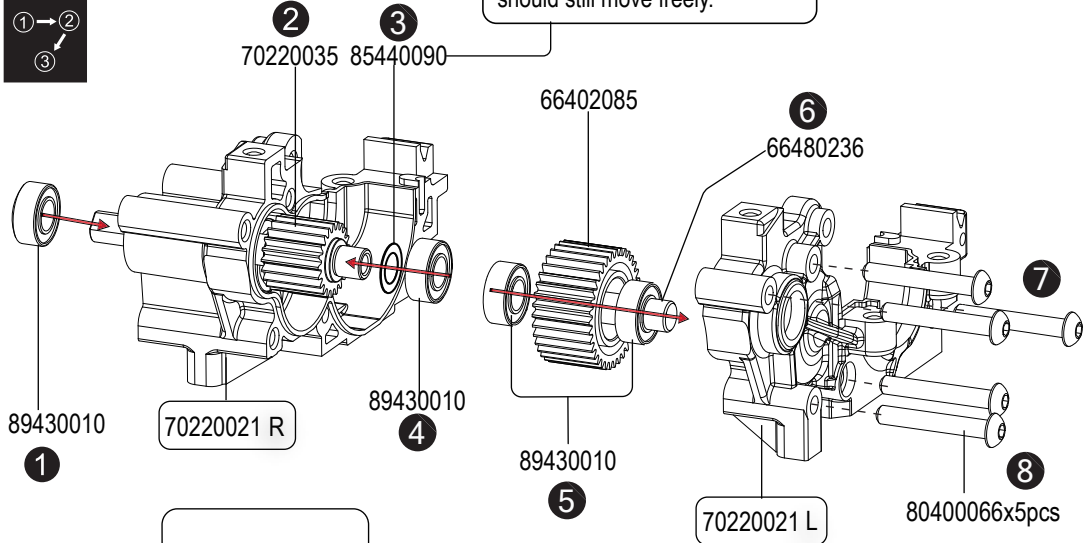
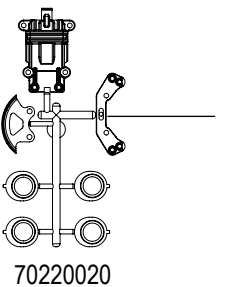
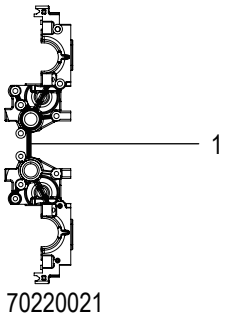
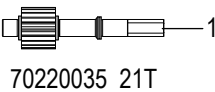
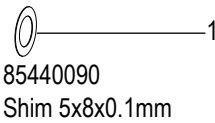
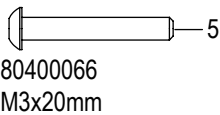
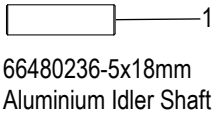
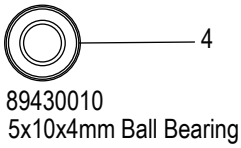
E-Clip Installation



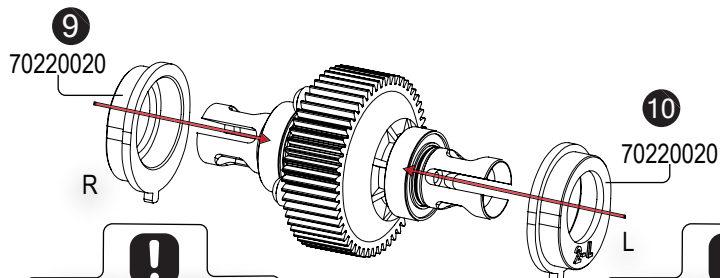
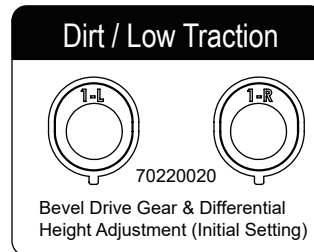
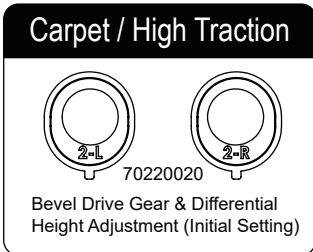
Silicone oil	
Low Traction	3000cst
Medium High Traction	5000cst
Super High Traction	7000cst

C2 Transmission Assembly

Use this optional shim if there is excessive play but the assembly should still move freely.



!
Tighten the screws equally but do NOT tighten them completely.

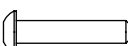
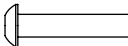
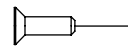
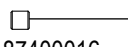
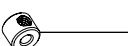

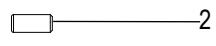
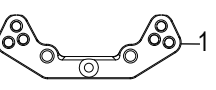


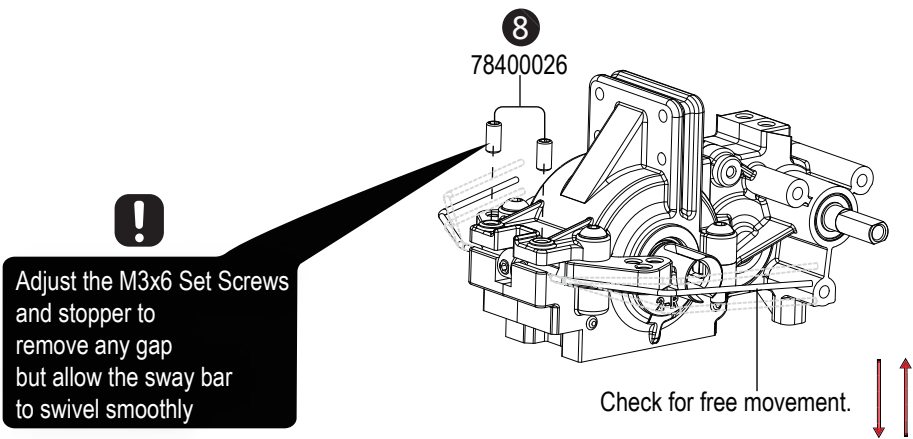
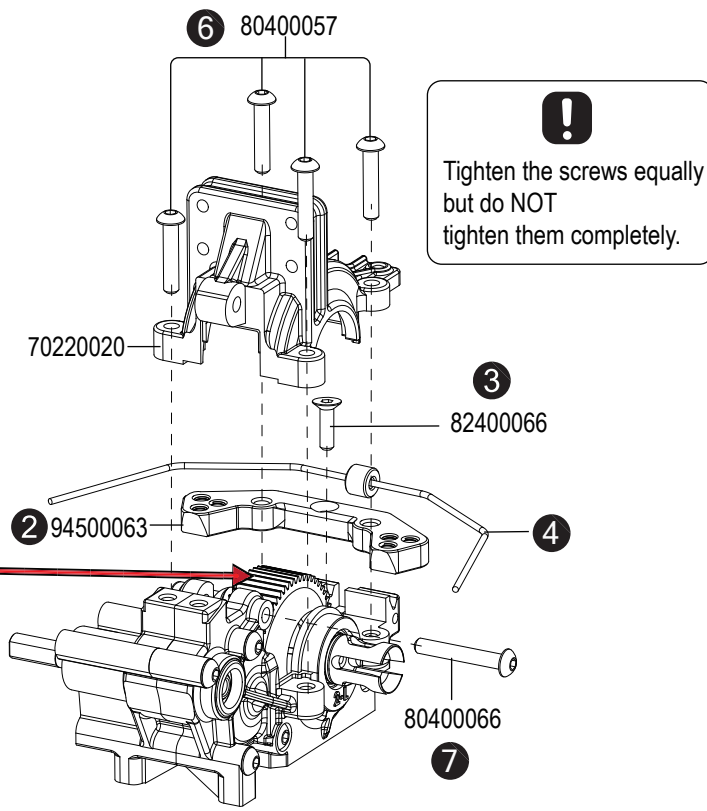
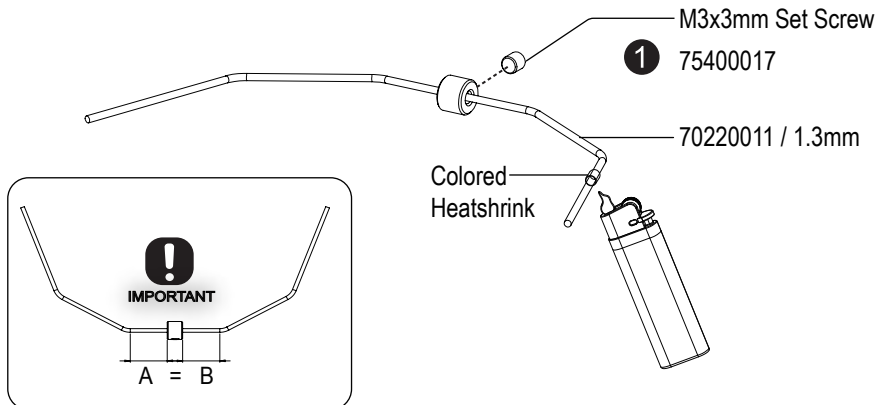
!
NOTE ORIENTATION
Numbers must have the same orientation on each side

!
NOTE ORIENTATION
Numbers must have the same orientation on each side

C2.1 Anti-Roll Bar

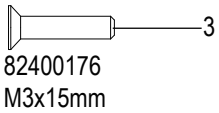
BAG
C

-  4
80400057
M3x15mm
-  1
80400066
M3x20mm
-  1
82400066 M2.5x8mm
-  1
87400016
M3x3mm Set Screw
-  1
75400017
Sway Bar Stop Collar
-  1
70220011 / 1.3mm
-  2
78400026 M3x6
Set Screw
-  1
94500063 Alu



C3 Slipper&Spur Gear

BAG
C



82400176
M3x15mm



83400046-M3 Lock Nut



70220016
Slipper Spring Adapter, Inner



70220017
Slipper Spring Adapter, Outer



77480118



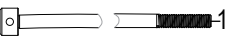
94500040
PR B10R
Alu Motor Plate



66480586 75T



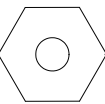
66480596 77T



79400085



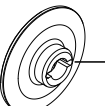
79400085
pin 1.5mmx8.3mm



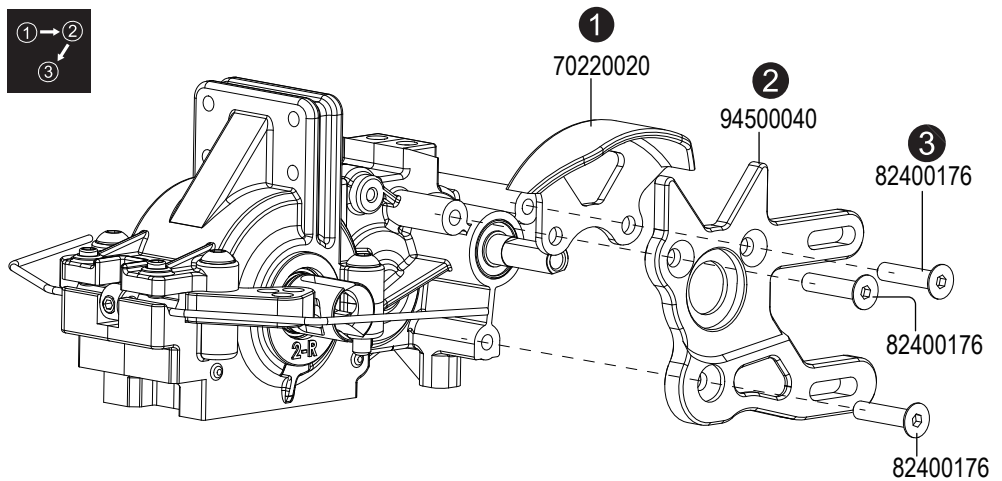
66481386
11mm Slipper Pad



74430016 (Inner)



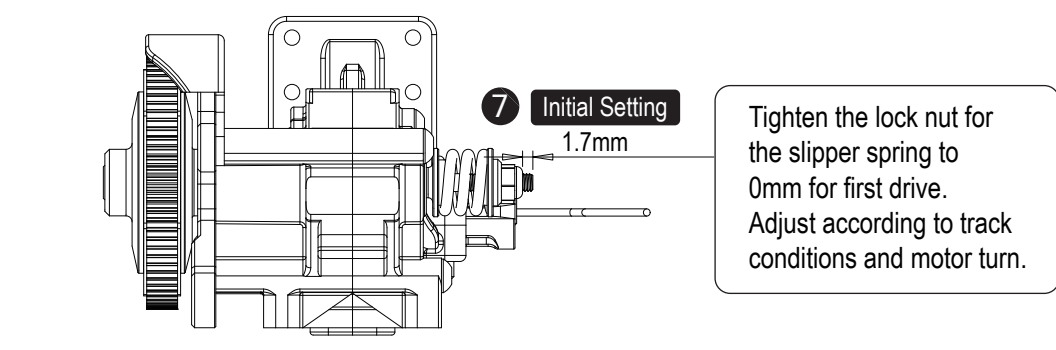
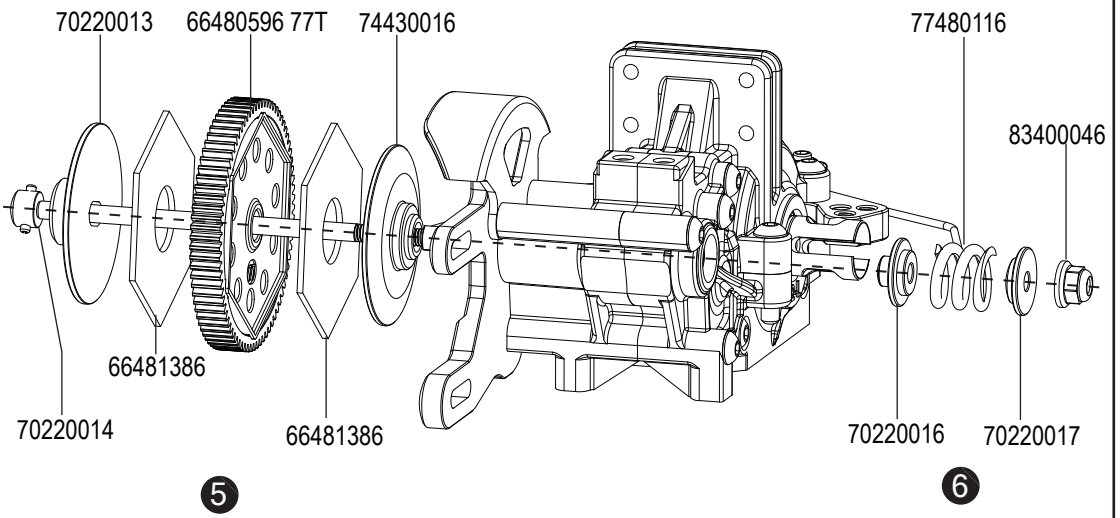
70220013 (Outer)



Slipper Pad

IMPORTANT

INCORRECT CORRECT

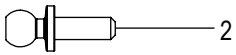


Tighten the lock nut for the slipper spring to 0mm for first drive. Adjust according to track conditions and motor turn.

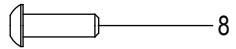


BAG
C

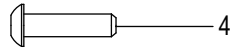
C4 Rear Shock Tower



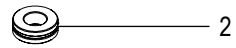
68430046
M4.8x8mm Ball Studs



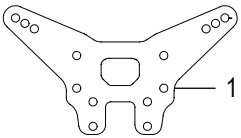
80400046
M3x10mm



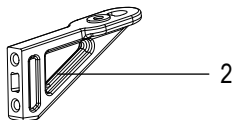
80400206
M3x12mm



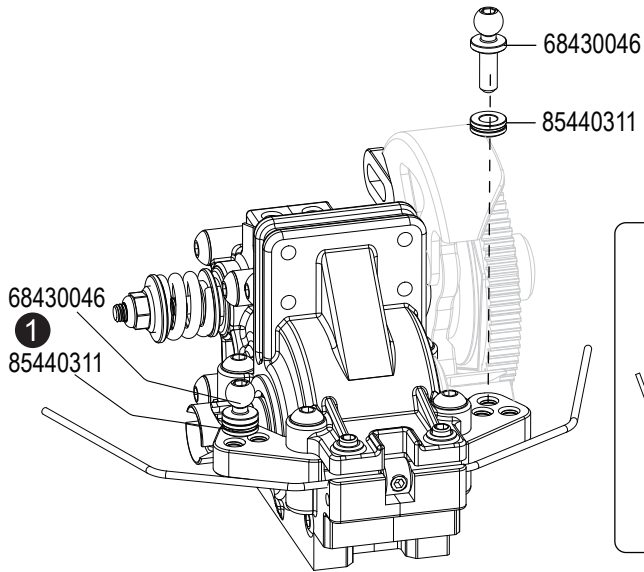
85440311
3x6.0x2mm Aluminum Spacer



94500016



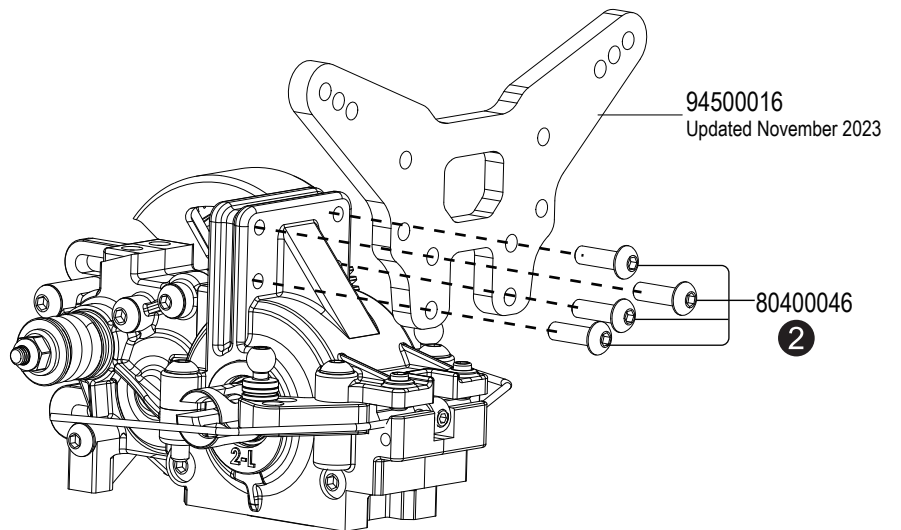
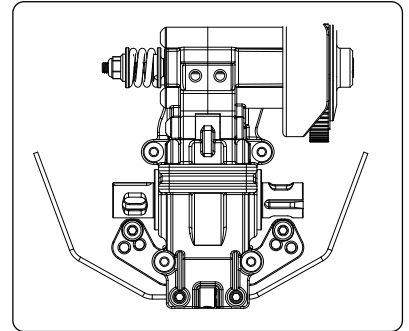
68480106



68430046
1
85440311

68430046

85440311

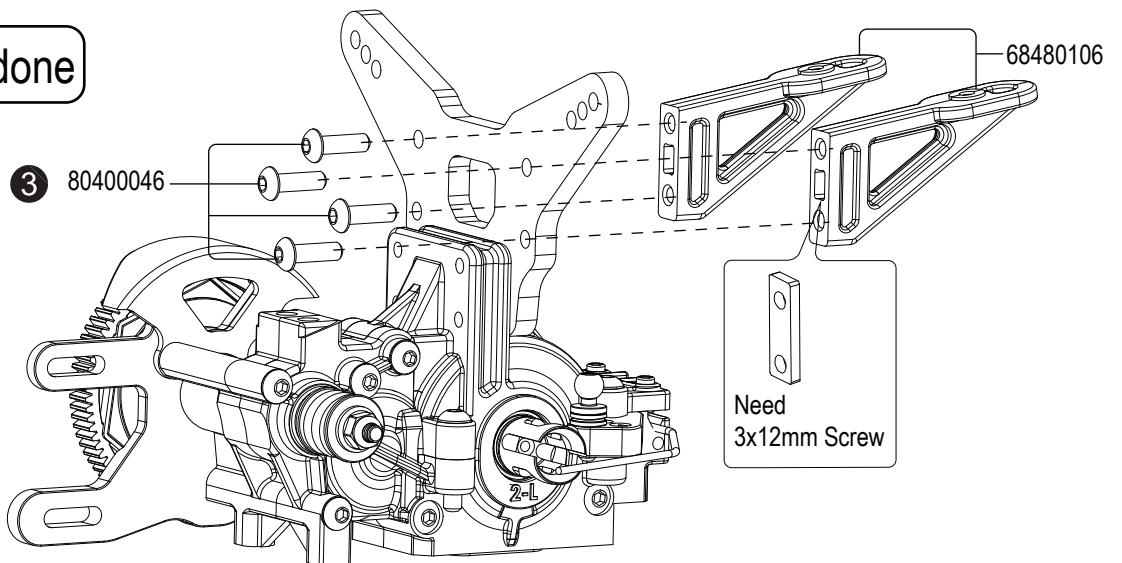


94500016
Updated November 2023

80400046

2

You are 50% done



3 80400046

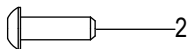
68480106

Need
3x12mm Screw

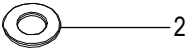


C5 Motor

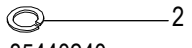
BAG
C



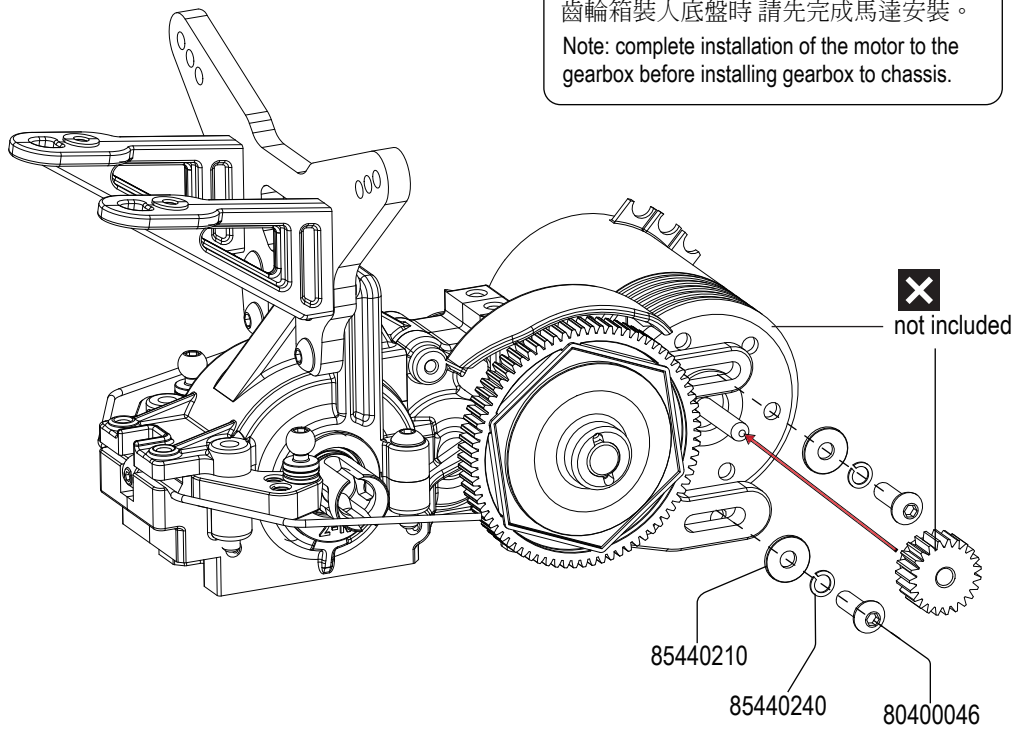
2
80400046
M3x10mm



2
85440210
3x8x0.8mm Shims



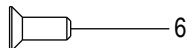
2
85440240
M3 Antislip Shims



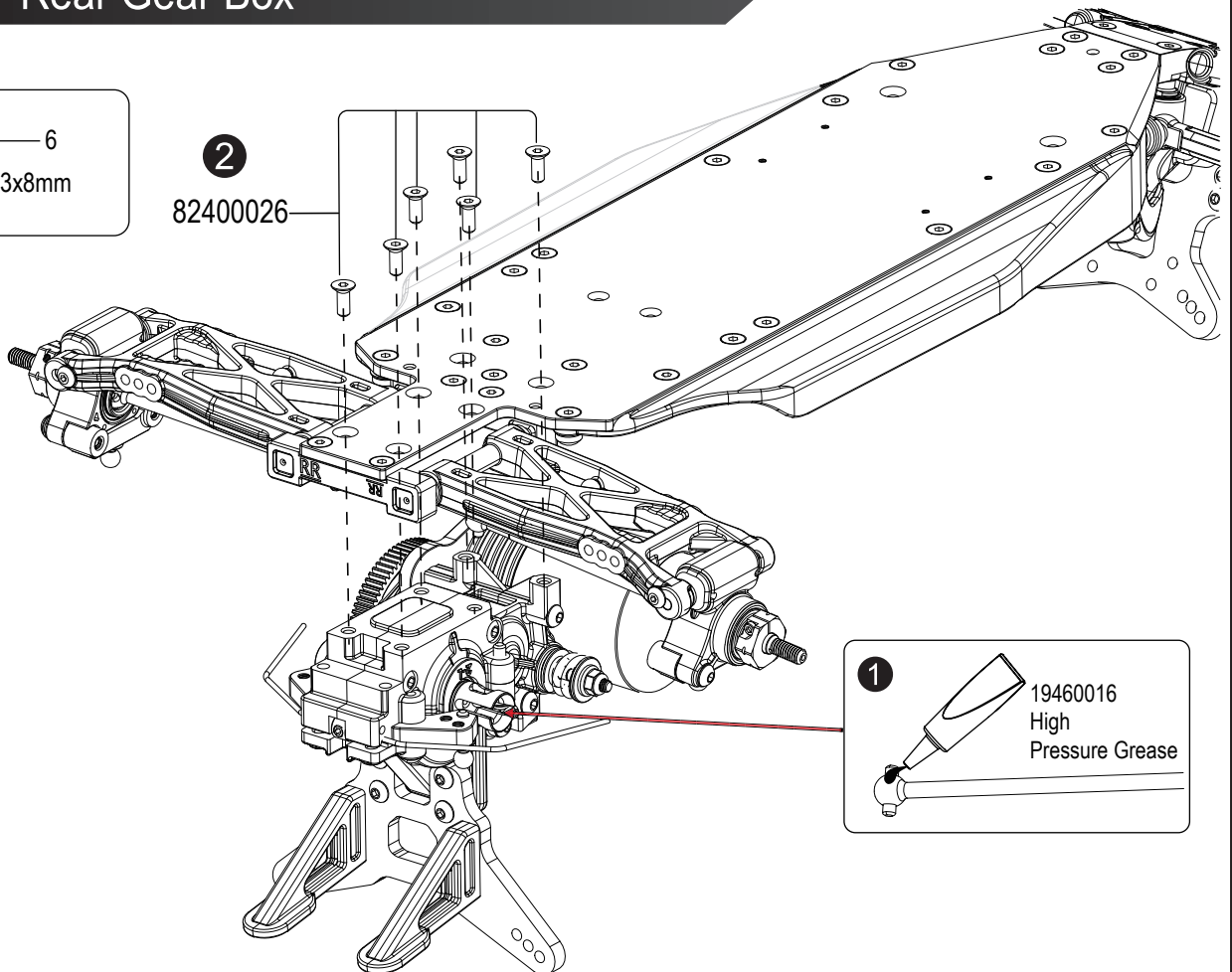
齒輪箱裝入底盤時 請先完成馬達安裝。
Note: complete installation of the motor to the gearbox before installing gearbox to chassis.

C6 Rear Gear Box

BAG
C



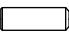


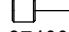
6
82400026 M3x8mm



1
19460016
High Pressure Grease

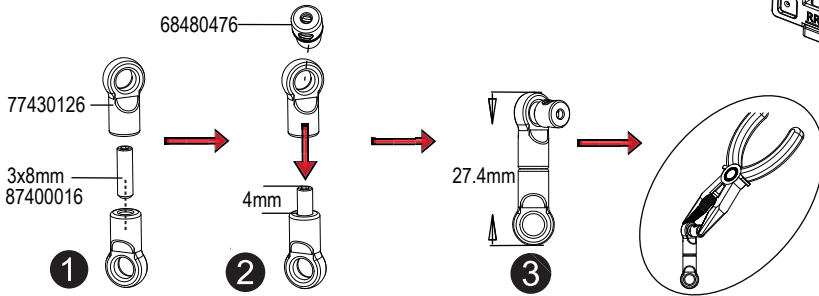
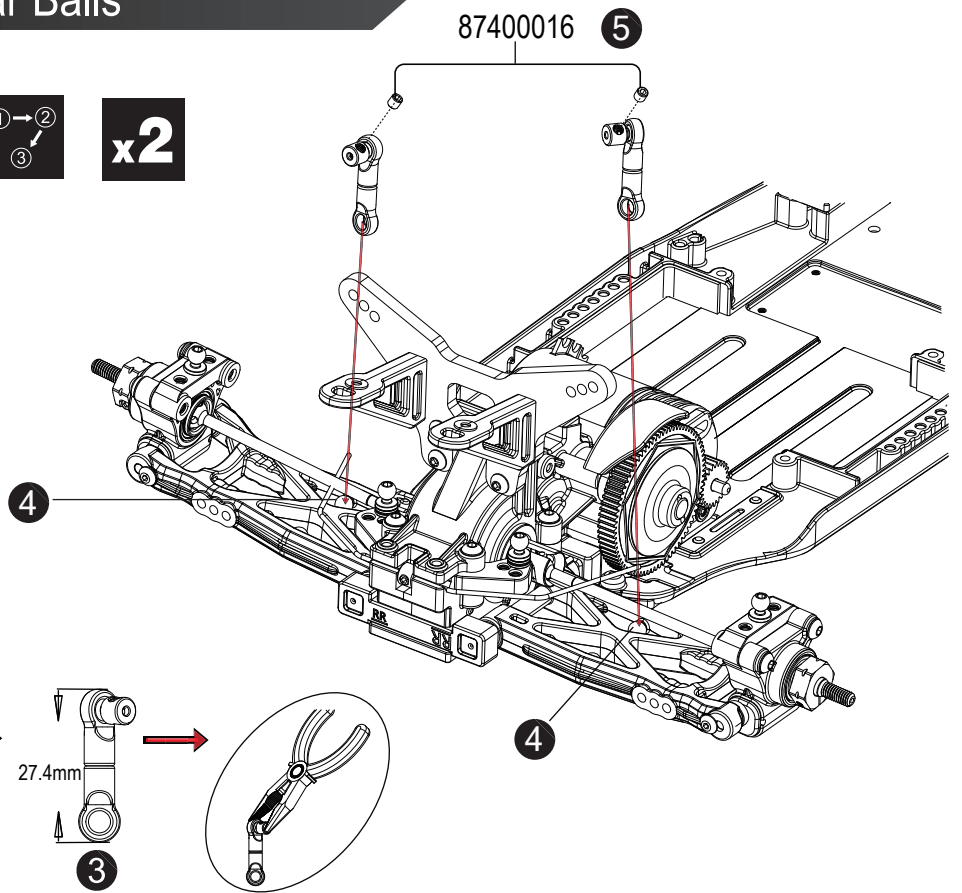
C7 Anti-Roll Bar Balls

BAG
C

-  2
87400096
Set Screw 3x8mm
-  2
68480476
Anti-Roll bar Balls 1.7mm
-  4
77430126
-  2
87400016
Set Screw 3x3mm

① → ②
③
x2

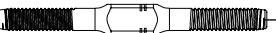


87400016 ⑤

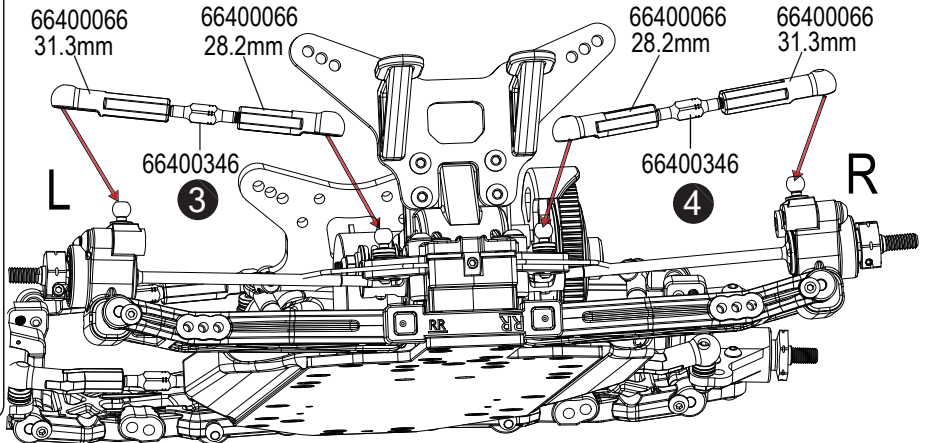


C8 Rear Upper Rod-Turnbuckle Assembly

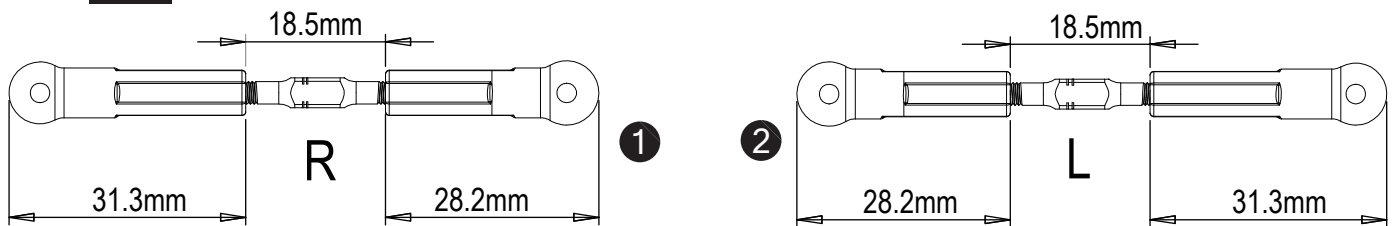
BAG
C

One side is reverse threaded.

-  2
66400346
36mm Turnbuckle
-  2
66400066
28.2mm Rod End
-  2
66400066
31.3mm Rod End



1:1

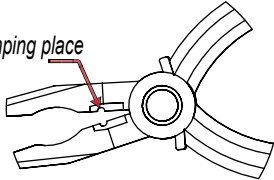


D1.1 Front & Rear Shock Assembly

BAG
D

!
IMPORTANT

Clamping place



✓
CORRECT

✗
INCORRECT

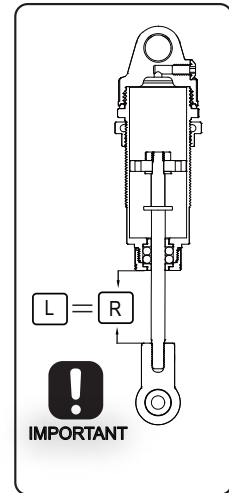
✗
INCORRECT

✓
CORRECT

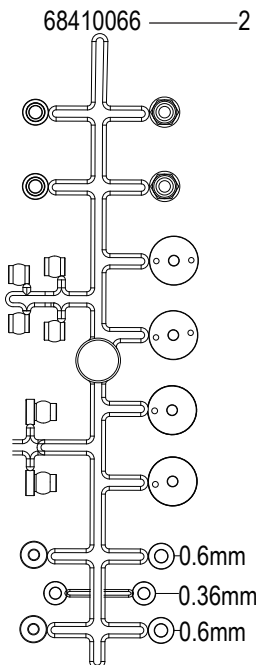
Twist the shock rod through the lower shock body assembly.

✗
INCORRECT

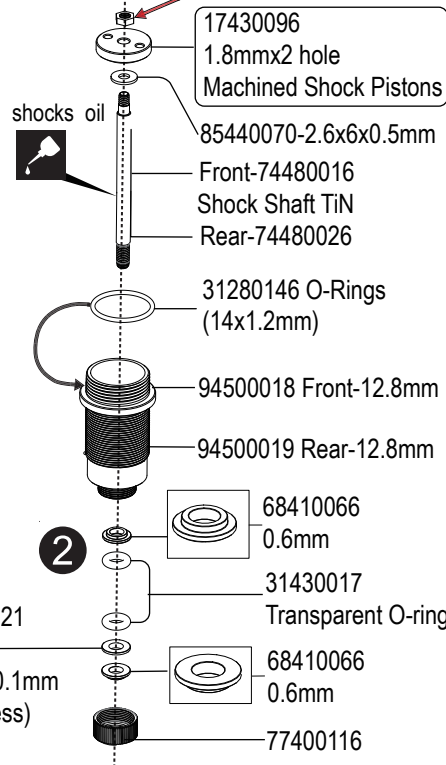
EXTREMELY IMPORTANT



Rear Buildx2
Front Buildx2
Initial setting

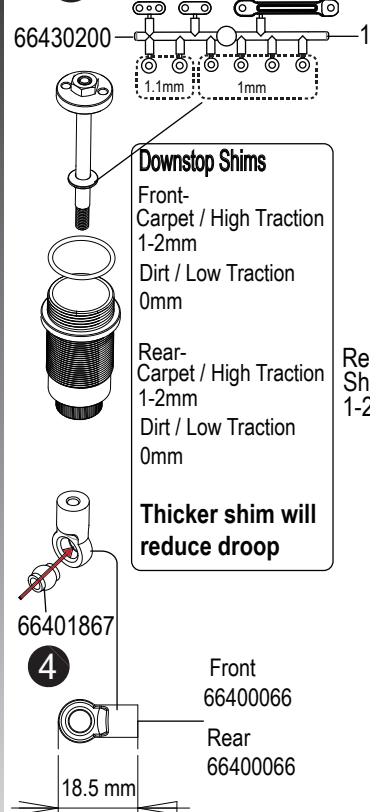


1 Do not over tighten (screw cement)
m2.5



3

IN A5 Bag

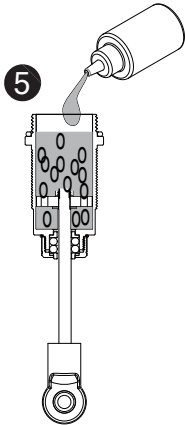


SETUP TIP:
The 0.1mm plastic shim is a tuning option. Use it to improve the seal and reduce oil leakage but it may reduce smoothness of shock action or leave it out for smoother action but there may be slight oil leakage.

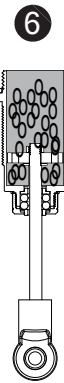
D1.2 Front & Rear Shock Assembly

BAG
D

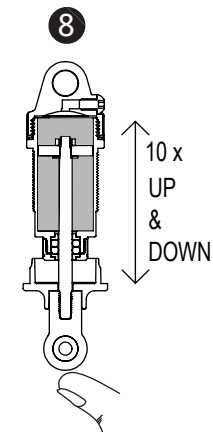
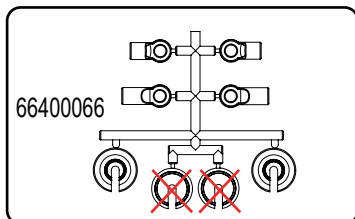
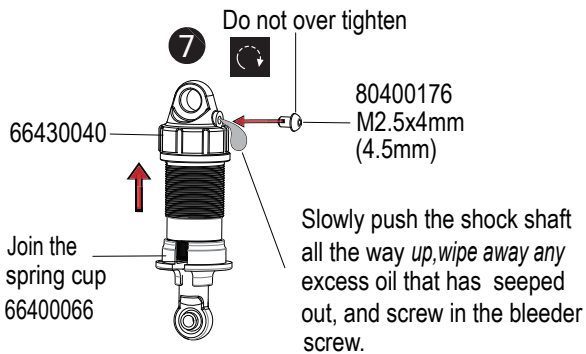
Front Build x2
Rear Build x2



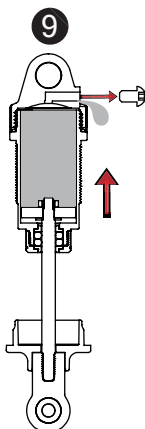
Initial Setting	
Front shocks oil	Rear shocks oil
↑ 20°C 450Cst	↑ 20°C 400Cst
↓ 20°C 400Cst	↓ 20°C 350Cst



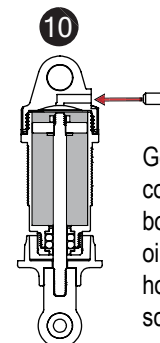
Slowly move up and down to remove air bubbles.



10 x push the shaft up and down.



Untighten the screw.



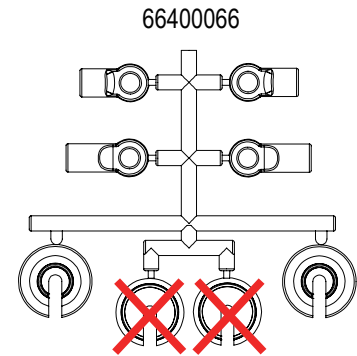
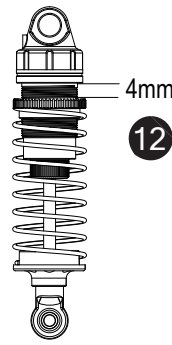
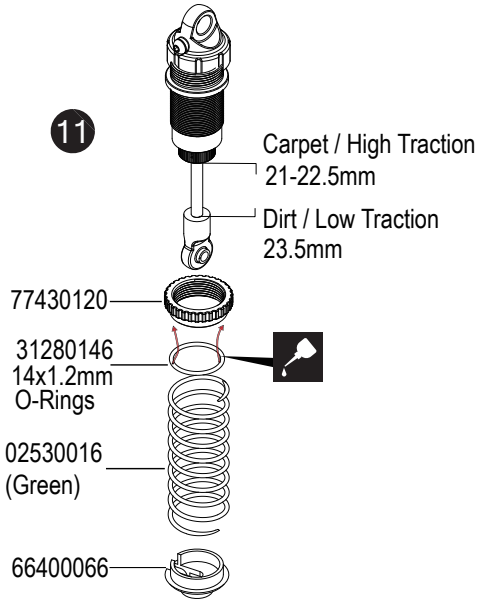
Gently push the shock shaft completely into the shock body. Wipe away any excess oil that flows through the hole in the shock cap and screw in the bleeder screw.

D1.3 Front & Rear Shock Assembly

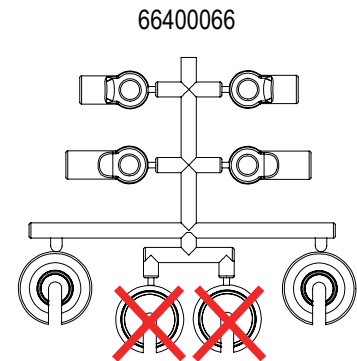
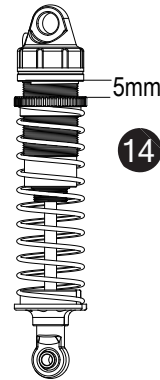
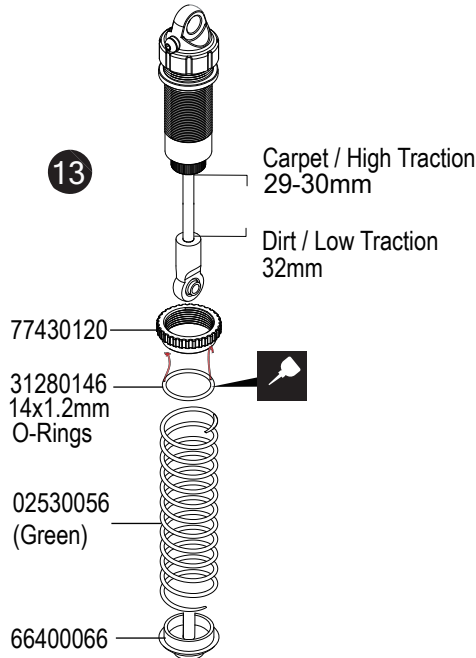


BAG
D

Front Build x2 Initial setting



Rear Build x2 Initial setting



Option

71530016-Type R Front Shock Spring Set			
PART NO:	Color	kg mm	lbs/in
02500096	Transparent	0.053	2.97
02500106	Blue	0.058	3.25
02500146	White	0.061	3.42
02500116	Red	0.063	3.53
02500126	Yellow	0.068	3.81
02530016	Green	0.075	4.20
02530026	Black	0.080	4.48
02530036	Blue Red	0.085	4.76
02530046	White Yellow	0.090	5.04
02530116	Green Black	0.098-(RT)	5.88-(RT)

71530026-Type R Rear Shock Spring Set			
PART NO:	Color	kg mm	lbs/in
02500056	Transparent	0.030	1.80
02500066	Blue	0.035	2.10
02500136	White	0.037	2.22
02500076	Red	0.040	2.40
02500086	Yellow	0.045	2.70
02530056	Green	0.050	3.00
02530066	Black	0.055	3.30
02530076	Blue Red	0.060	3.60
02530086	White Yellow	0.065	3.90
02530126	Green Black	0.073-(RT)	4.50-(RT)



Part Bags used.



Apply oil.

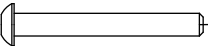
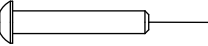


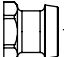


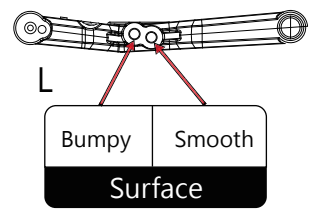
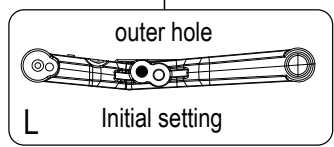
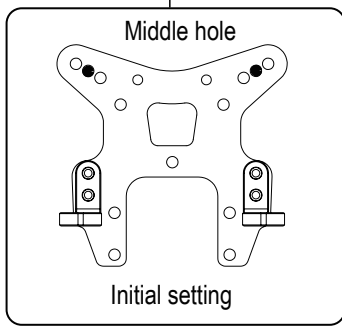
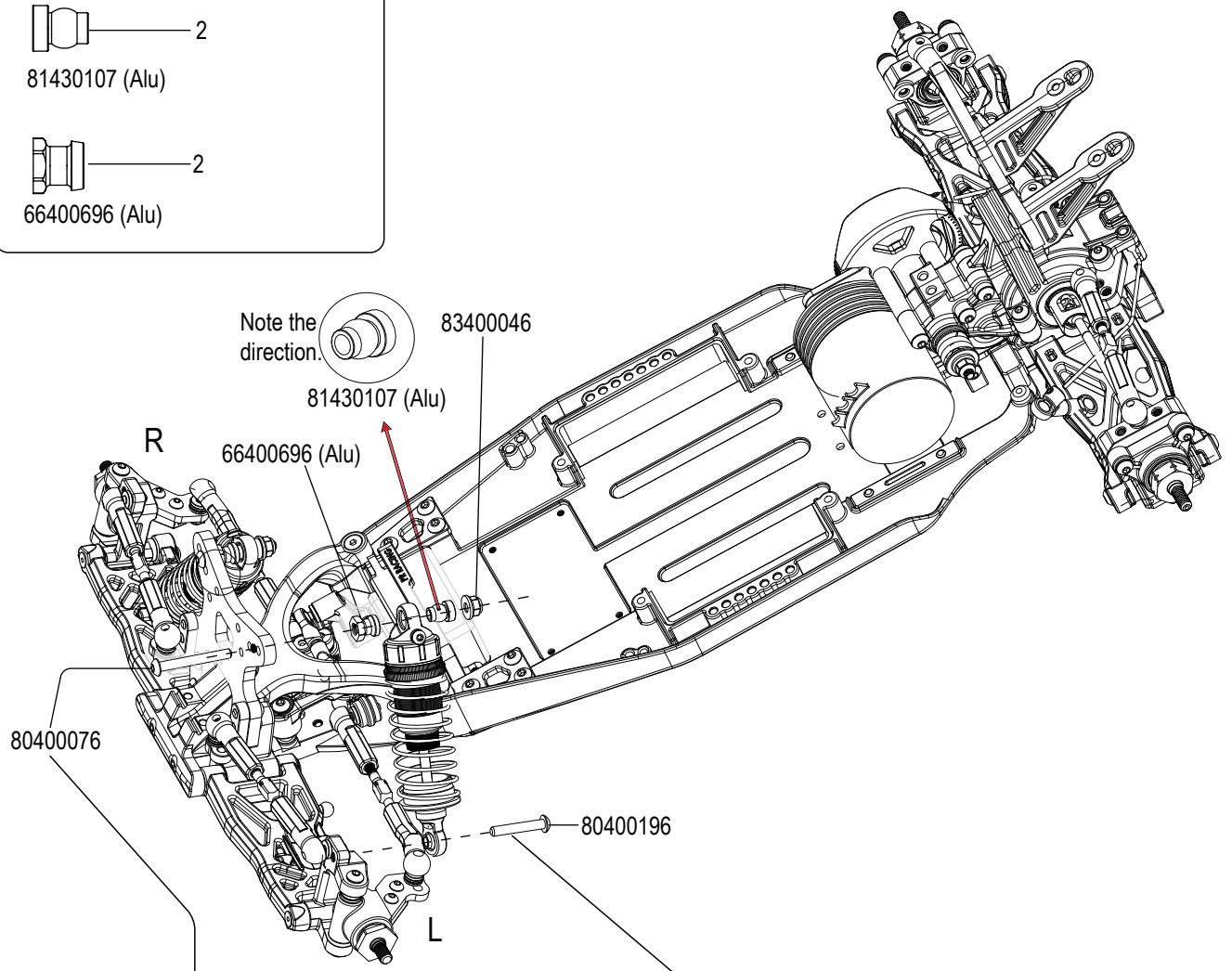
Assemble in the specified order.



BAG
D

D2 Front Suspension

-  2
80400076 M3x25mm
-  2
80400196 M3 x18mm
-  2
83400046 M3 Lock Nut
-  2
81430107 (Alu)
-  2
66400696 (Alu)





BAG
D

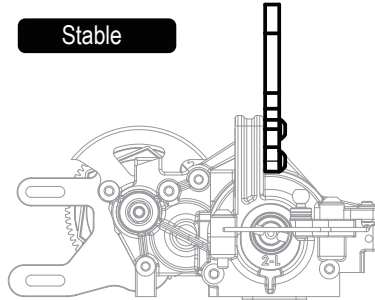
D3 Rear Suspension

Page 23

Page 24

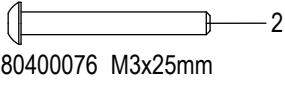
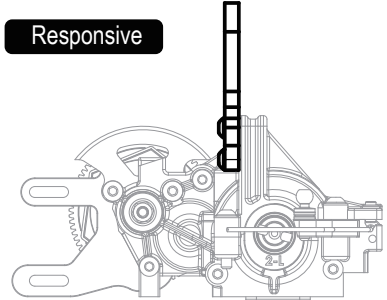
Rear Shock Tower (Optional Rear Mount)

Stable

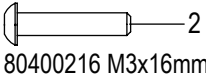


Rear Shock Tower (Optional Front Mount)

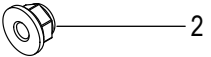
Responsive



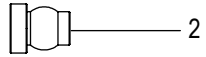
80400076 M3x25mm



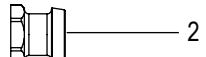
80400216 M3x16mm



83400046 M3 Lock Nut



81430107 (Alu)

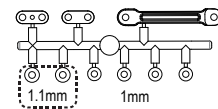


66400696 (Alu)



85440211 Shim3x8x1mm

IN A5 Bag



66430200

Note the direction.



81430107 (Alu)

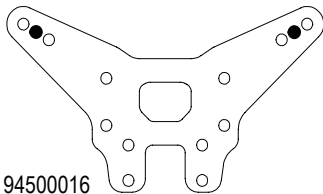
66400696 (Alu)

80400076

83400046

Initial setting

Middle hole

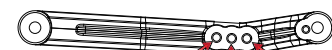


94500016

Initial setting
Middle hole

85440211

80400216



Bumpy

Medium

Smooth

Surface





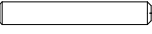
Part bags used.

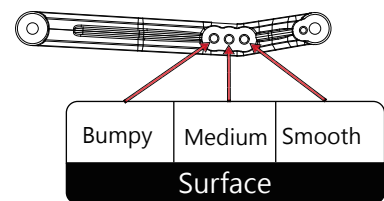
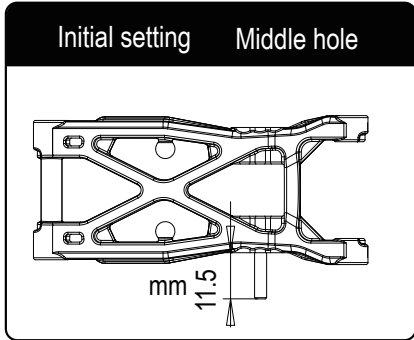
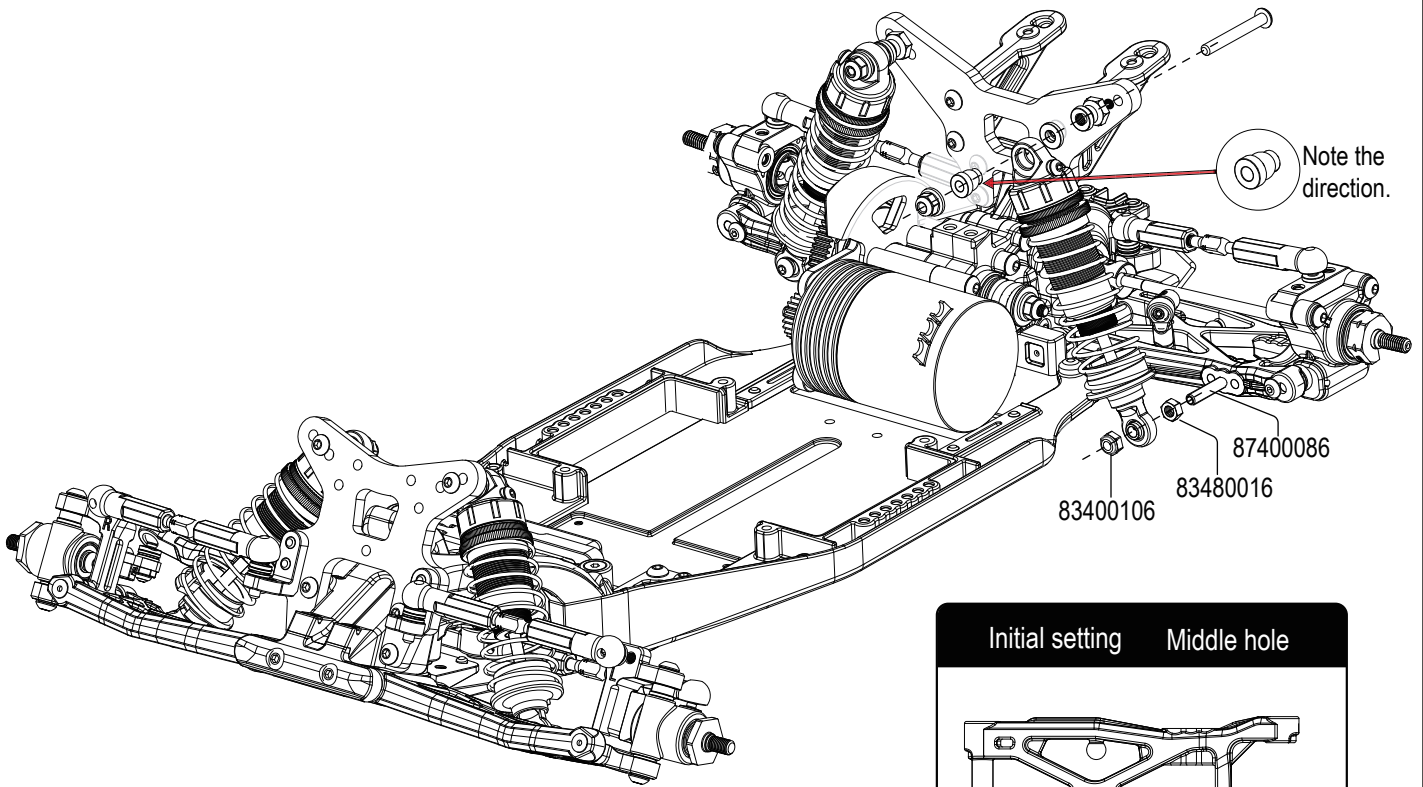
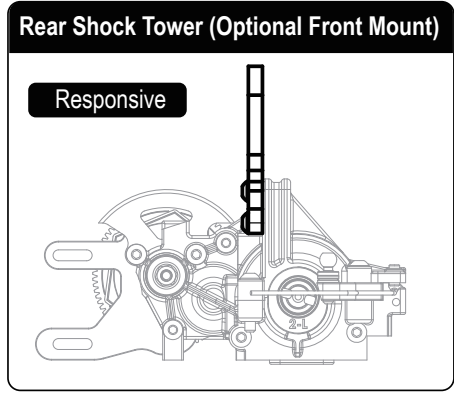
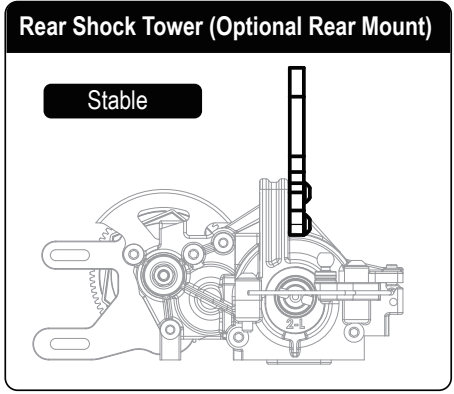


D3.1 Rear Suspension

Page 23

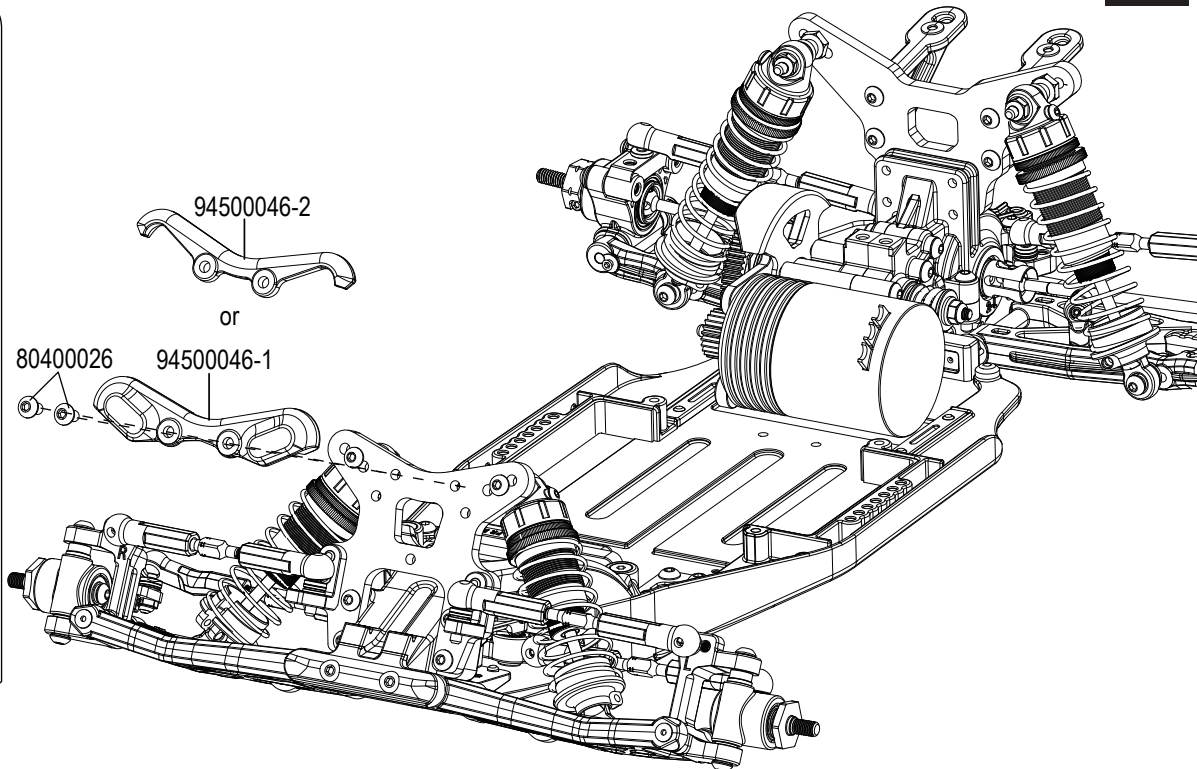
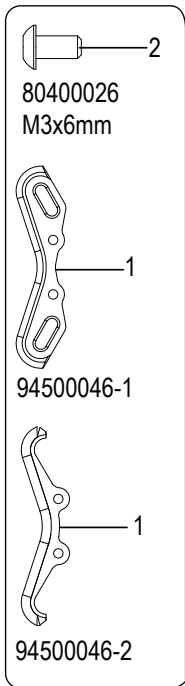
Page 24

-  2
83480016 5.5mmx3
-  2
83400106 M3 Lock Nut
-  2
87400086 3x20mm
Set Screw



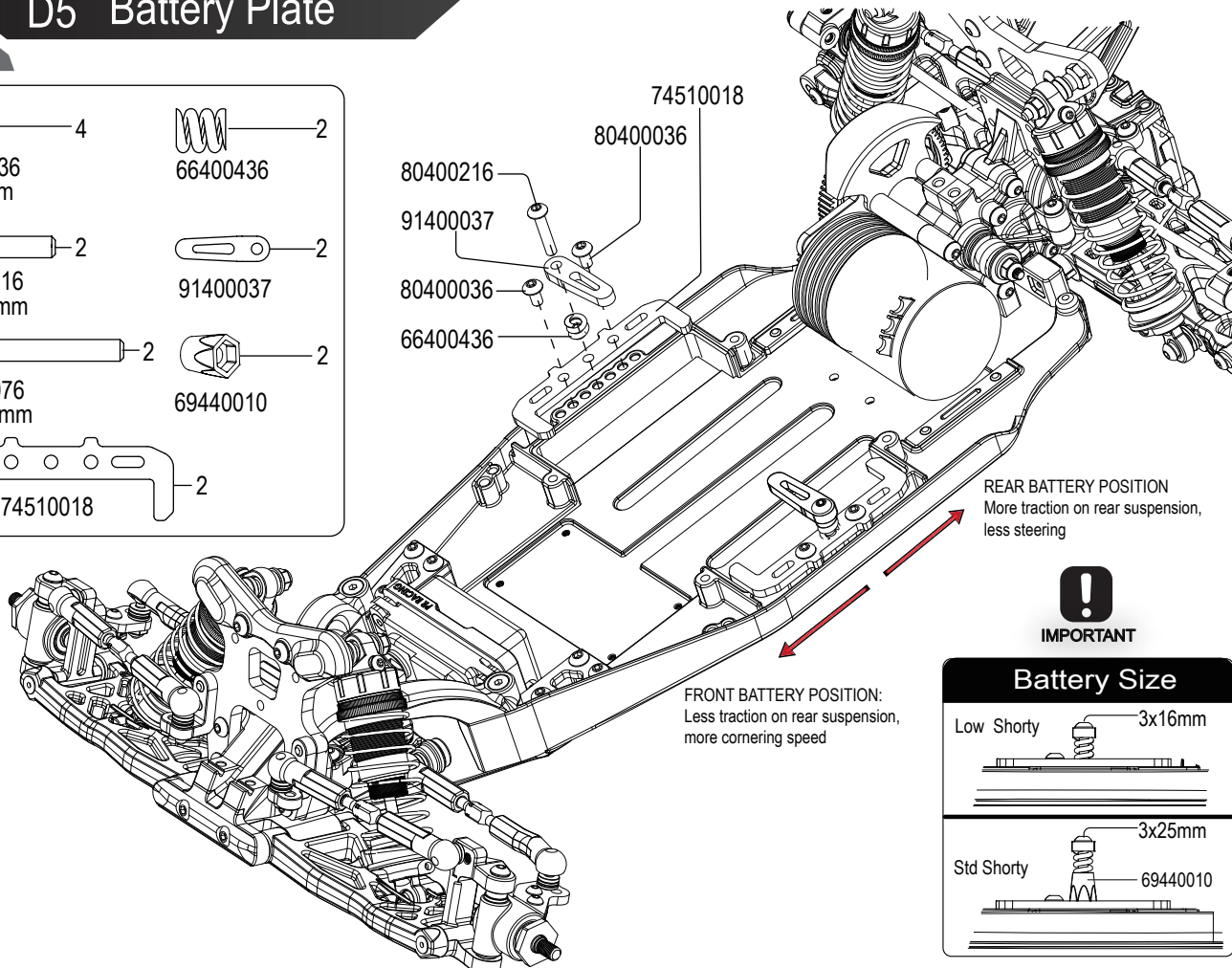
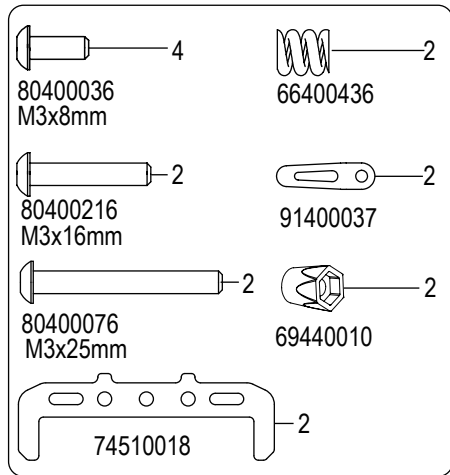
D4 Front Shock Tower Cover

BAG
D



D5 Battery Plate

BAG
D

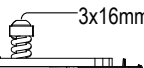


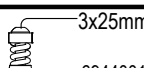
REAR BATTERY POSITION
More traction on rear suspension,
less steering

FRONT BATTERY POSITION:
Less traction on rear suspension,
more cornering speed

!
IMPORTANT


Battery Size

Low Shorty  3x16mm

Std Shorty  3x25mm

69440010

 Part Bags used.

 Assemble in the specified order.



D6 ESC Weight



BAG
D

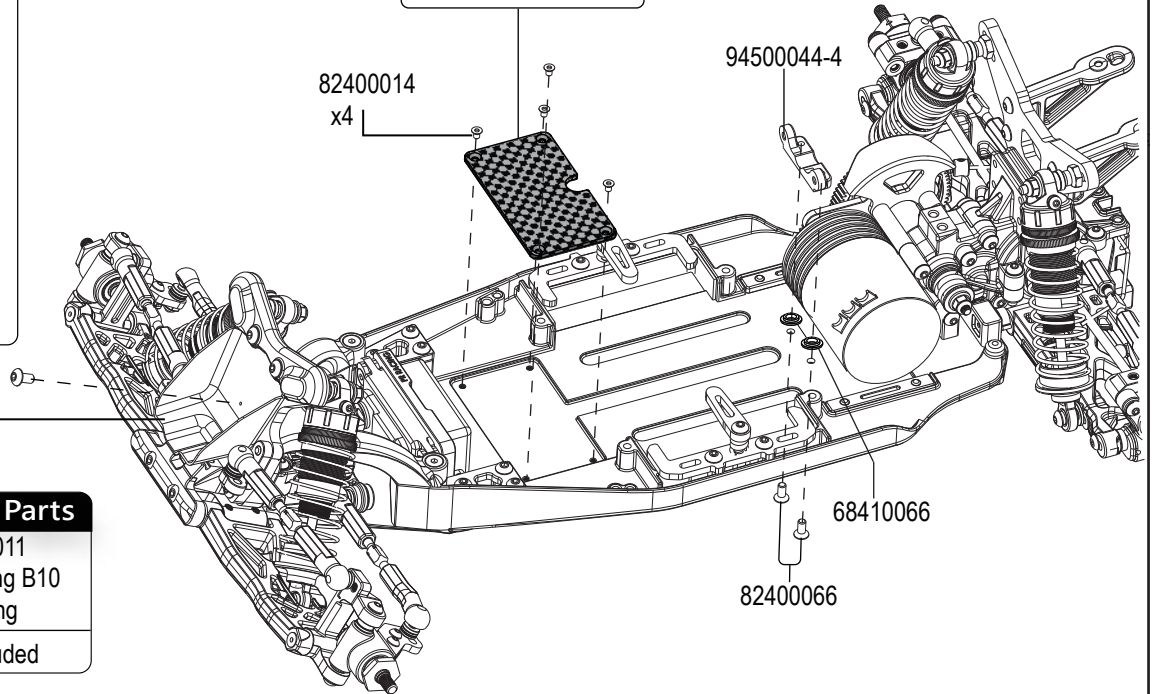
KIT Parts
ESC Weight
Carbon
74500036
3.5g

Option Parts
ESC Weight
Bronze
74500047
20.5g

Not included

- 2
82400066 M2.6x8mm
- 1
94500044-4
- 1
68410066
plastic shim
- 4
82400014 M2x3mm
- 1
74500036 ESC Weight
Carbon 3.5g

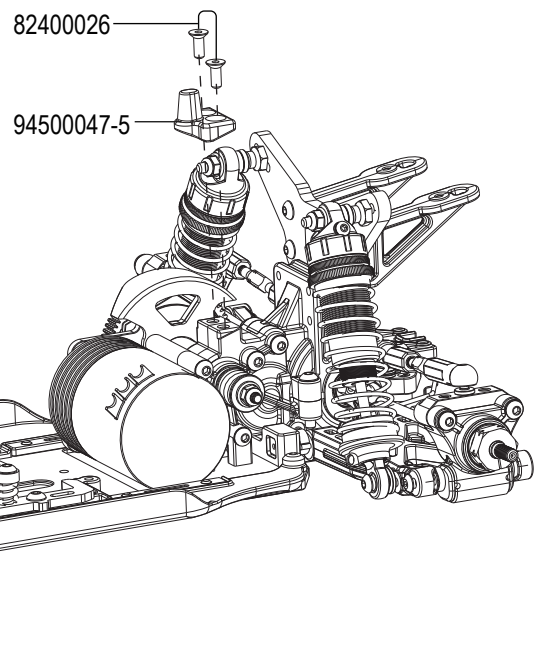
Option Parts
95000011
PR Racing B10
Front Wing
Not included



BAG
D

D7 Body Support Column

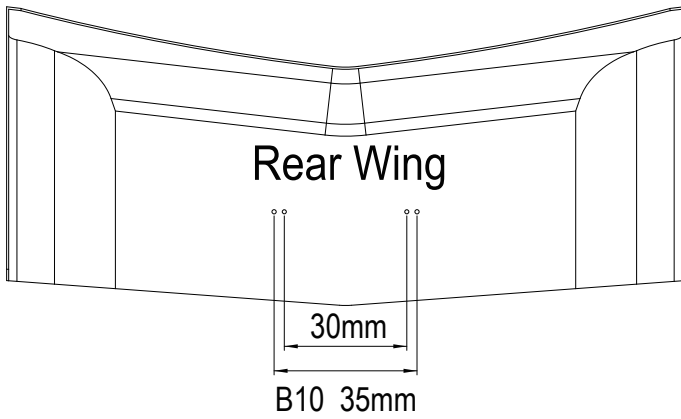
- 2
82400026 M3x8mm
- 1
94500047-5



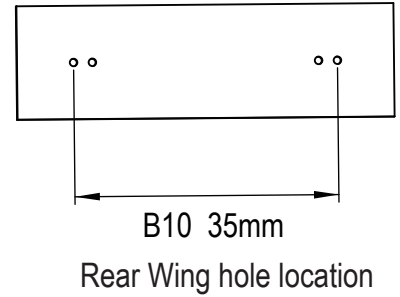


BAG
D

D8 Rear Wing



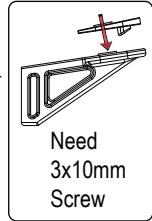
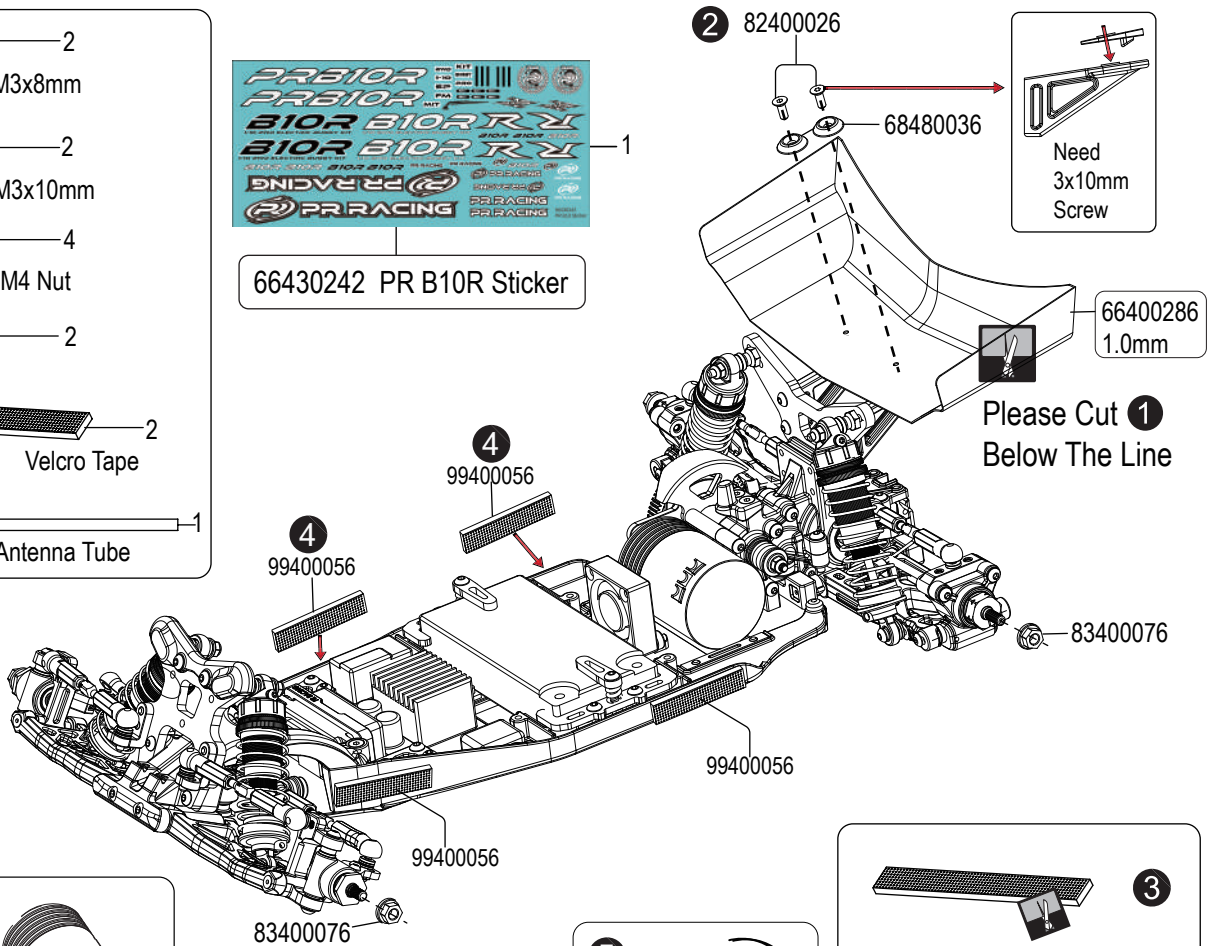
1:1



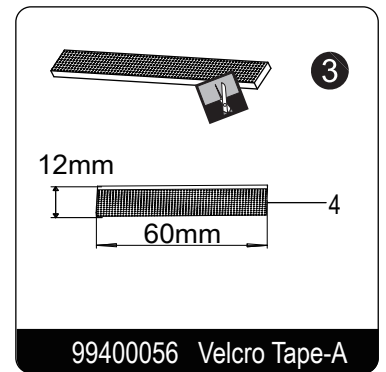
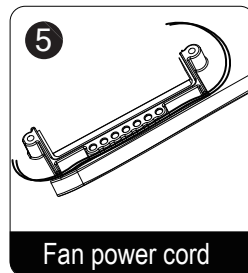
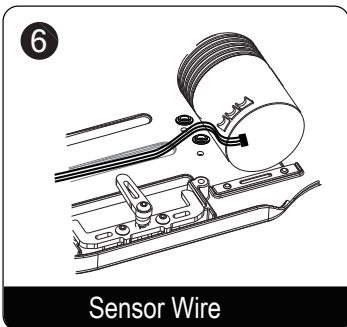
- 2
82400026 M3x8mm
- 2
82400106 M3x10mm
- 4
83400076 M4 Nut
- 2
68480036
- 2
99400056 Velcro Tape
- 1
98400016 Antenna Tube



66430242 PR B10R Sticker



Please Cut **1**
Below The Line



Part Bags used.



Cut Below The Line



Assemble in the specified order.



Assemble left and right sides the same way.



True-to-scale diagram.

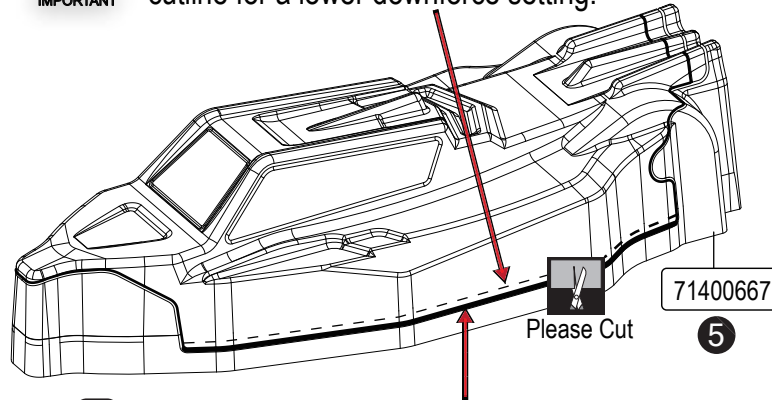


BAG
D

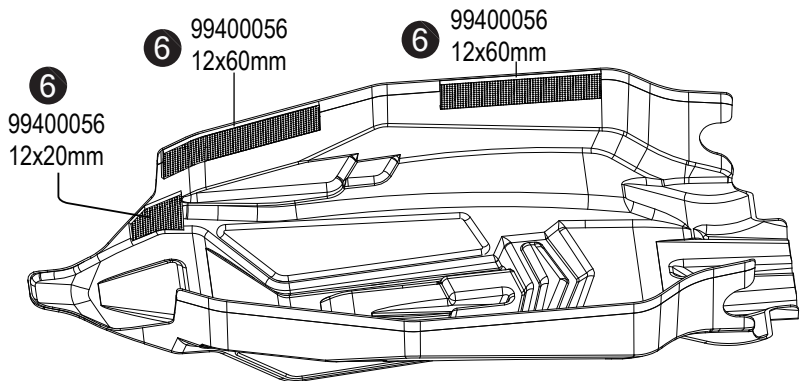
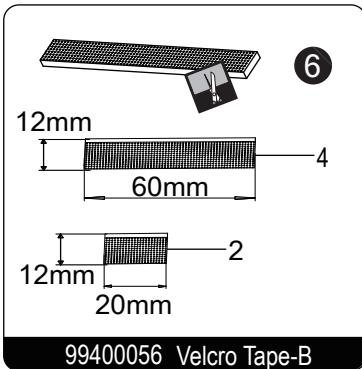
D8.1 Body



For high-grip tracks, cut 4-5mm above the provided cutline for a lower downforce setting.



Cut on the provided cutline for a higher downforce setting which is suitable for low-grip tracks



Body and Wing Cutting

Wash the inside of the body with luke warm water and a mild soap or detergent (such as liquid dishwashing soap) prior to painting. Oil residue or dust will prevent the paint from adhering to the painting surface, and possibly cause the paint to peel later on. After washing, thoroughly dry the body to allow the paint to adhere properly.

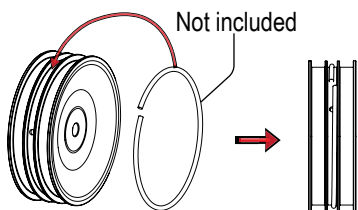


TEAM PR RACING THANK YOU

Tires

Option Parts

34430018
2WD Front Wheel Counterweight Ring



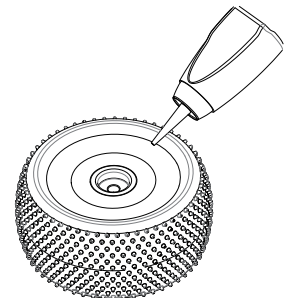
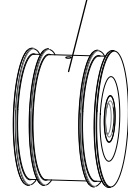
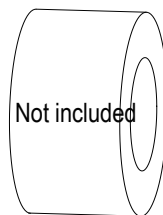
1. Add more weight to the front of the chassis to increase steering response.
2. Increase the rotational inertia of the front wheels for more precise in-air control during jumps.

Option Parts

Mounting Tires

Wheel Installation

kit 68400316 Rear Wheel
kit 68400296 Front Wheel



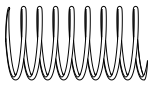
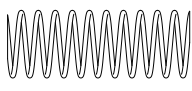
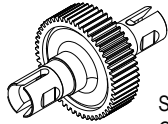
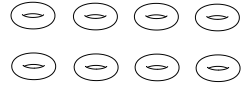
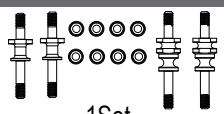


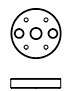
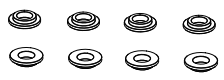
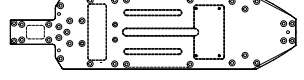


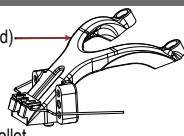
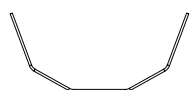
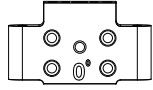

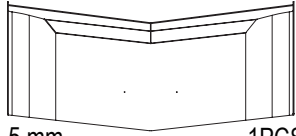

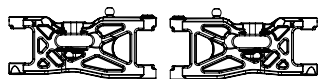
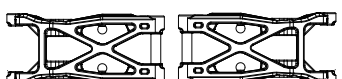
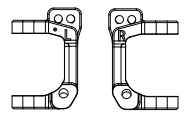
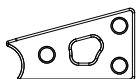
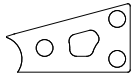

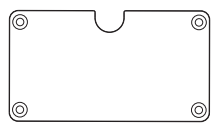

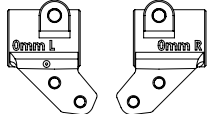
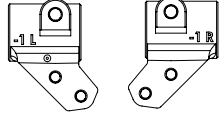
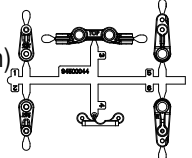
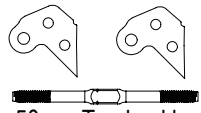
Place the tire insert into the tire and tire onto the wheel.
Tire and insert (Sold separately)
CA(Cyanoacrylate) glue sold separately.


Pull the sidewall of the tire slightly away from the rim and apply CA(Cyanoacrylate) glue in between the tire bead and rim





Option Parts

PRBIOR

<p>71530016</p>  <p>10 pr Type R Front Shock Spring Set</p>	<p>71530026</p>  <p>10 pr Type R Front Shock Spring Set</p>	<p>66402686</p>  <p>S1 Ball Diff Outdrive Set +1.3mm</p>	<p>31430016</p> <p>PR P3 Shock O-Rings(Red)</p>  <p>8PCS Hard</p>
<p>81430106</p>  <p>1Set Front Rear Steel Shock Stand off Set</p>	<p>68440093</p>  <p>PR RACING 12mm (-1.2mm) 2PCS Clamping Wheel Hex</p>	<p>68440094</p>  <p>PR RACING 12mm (-0.6mm) 2PCS Clamping Wheel Hex</p>	<p>17430116</p>  <p>4PCS id 12.8mm x 2.0mm x 2 Hole</p>
<p>55430076</p>  <p>POM Shock Hat Bushing CNC (8)</p>	<p>71400797</p> <p>(Competition version)</p>  <p>1PCS 2.5mm Alu</p>	<p>68430091</p>  <p>For:PRB10R 23T CNC-(aluminum) 1PCS</p>	<p>68430092</p>  <p>For:PRB10R 25T CNC-(aluminum) 1PCS</p>
<p>66481557</p> <p>(not included)</p>  <p>Front Anti-Roll Bar Drop Link & Collet 0.8/1.0/1.1/1.2/1.3/1.4mm</p>	<p>66481558</p>  <p>Team PR Racing S1 V4 Rear Sway Bar set (0.8+0.9+1.0+1.2+1.3+1.4mm) (6)</p>	<p>66480454</p>  <p>1PCS 0 Degree Alu Lower Swing Arm Mount</p>	<p>23440360</p>  <p>1PCS M5.5mm (Alu)</p>
<p>66402697</p>  <p>1.5mm 1PCS</p>	<p>95000011</p>  <p>PR Racing B10 Front Wing 1PCS</p>	<p>69400157</p>  <p>Front Graphite (1pr) very hard</p>	<p>69400186</p>  <p>Rear Graphite (1pr) very hard</p>
<p>91400041</p>  <p>5 Degree Alu Caster Block (1pr)</p>	<p>74500048</p>  <p>2PCS Bronze 2.5mm 5.7g</p>	<p>75400034</p>  <p>2PCS Carbon 2.5mm 1.0g</p>	<p>55500010</p>  <p>1PCS CNC Alu</p>
<p>74500047</p>  <p>1PCS ESC Weight Bronze 20.5g</p>	<p>66480356</p>  <p>2PCS Gear Diff Cross Pins Alu</p>	<p>66402220</p>  <p>Steering Block Alu 0mm 1pr</p>	<p>66402230</p>  <p>Steering Block Alu -1mm 1pr</p>
<p>94500048</p>  <p>(Carbon) (Hard) (1pr)</p>	<p>66481388</p>  <p>Responsive 50mm Turnbuckles For:Tight Track/Carpet use</p>		



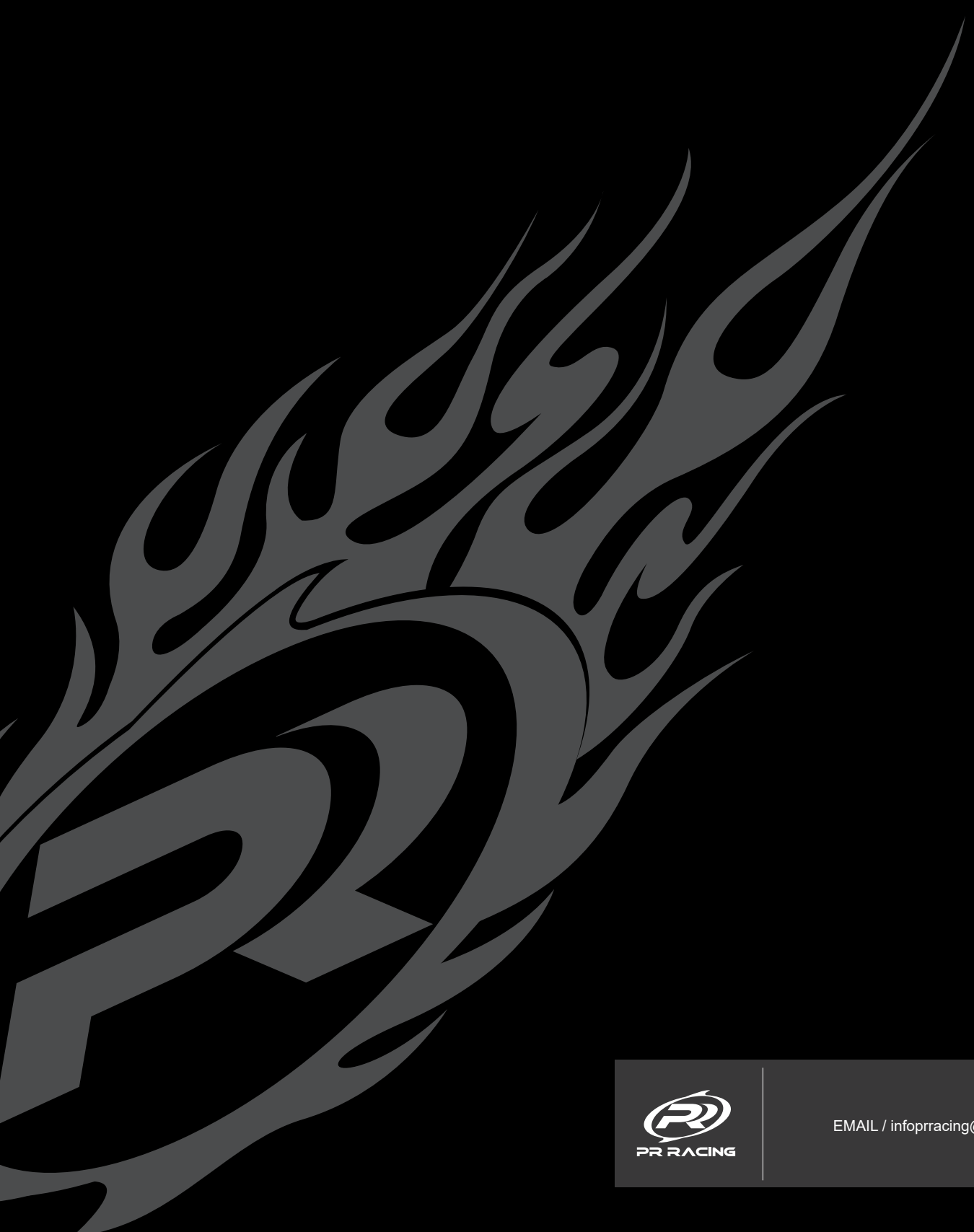
PR B10R (Gear Diff) Gear Ratio Chart-Internal Gear Ratio 2.62:1

(Gear Diff) Final Drive Ratio		Spur 				
		73	75	77	81	83
Pinion 	18					
	19					
	20			10.09		
	21			9.61		
	22		8.93	9.17		
	23		8.54	8.77		
	24	7.97	8.19	8.41		
	25	7.65	7.86	8.07		
	26	7.36	7.56	7.76		
	27	7.08	7.28	7.47		
	28	6.83	7.02			
	29	6.60	6.78			
	30	6.38				
	31	6.17				
	32					
33						

66480576	73T Spur Gear (For S1)x1pcs
66480586	75T Spur Gear (For S1)x1pcs
66480596	77T Spur Gear (For S1)x1pcs

66480986	PR Racing 48P Pinion (3.17mm ID) (18T)x1pcs	66481576	PR Racing 48P Pinion (3.17mm ID) (26T)x1pcs
66480996	PR Racing 48P Pinion (3.17mm ID) (19T)x1pcs	66481586	PR Racing 48P Pinion (3.17mm ID) (27T)x1pcs
66481006	PR Racing 48P Pinion (3.17mm ID) (20T)x1pcs	66481596	PR Racing 48P Pinion (3.17mm ID) (28T)x1pcs
66400556	PR Racing 48P Pinion (3.17mm ID) (21T)x1pcs	66481606	PR Racing 48P Pinion (3.17mm ID) (29T)x1pcs
66480096	PR Racing 48P Pinion (3.17mm ID) (22T)x1pcs	66481616	PR Racing 48P Pinion (3.17mm ID) (30T)x1pcs
66480106	PR Racing 48P Pinion (3.17mm ID) (23T)x1pcs	66481626	PR Racing 48P Pinion (3.17mm ID) (31T)x1pcs
66480116	PR Racing 48P Pinion (3.17mm ID) (24T)x1pcs	66481636	PR Racing 48P Pinion (3.17mm ID) (32T)x1pcs
66481566	PR Racing 48P Pinion (3.17mm ID) (25T)x1pcs	66481646	PR Racing 48P Pinion (3.17mm ID) (33T)x1pcs

In case of any errors in the manual, the most current information published by manufacturer shall prevail.



EMAIL / infopracing@gmail.com.tw

1.0.0 Version